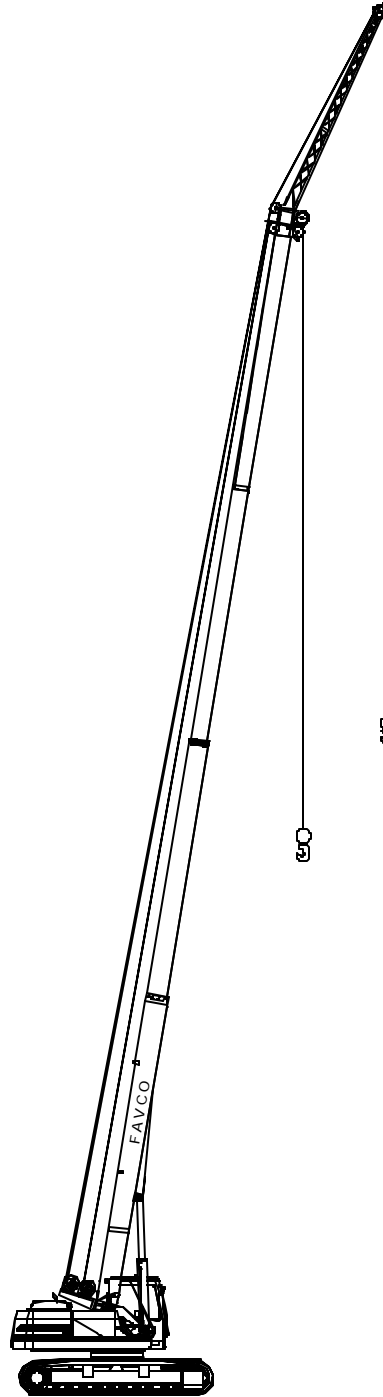


FAVCO 40T SPECIFICATIONS

FAVCO 40T 40 Ton (38MT) Hydraulic Boom Crawler Crane

FAVCO 40T
*is based on a
Caterpillar Power
Module incorporating a
325 Excavator Upper
and 320 Lower.*

powered by



STANDARD EQUIPMENT

BOOM

30.6 ft. – 100 ft. (9.3m – 30.48m), 4 section telescoping type extended and retracted proportionally by double-acting hydraulic cylinder and cable crowd system.
Maximum Tip Height : 105 ft. (32m)

Boom Point

Three high-density nylon sheaves mounted with heavy-duty roller bearings. Two removable pin-type rope guards.

Boom Elevation

Double-acting hydraulic cylinder. Operating range from 9° below to 80° above horizontal. Working range from 0° to 80° is achievable in 50 seconds at maximum operating speeds.

Wire Rope

Manufacturer's approved 5/8 in. (16mm) diameter, 328 ft (100m) rotation resisting wire rope, with minimum breaking strength of 54,013 lbs (24,500 kg).

Overhaul Ball & Hook

7.5 ton (7,000 kg) Overhaul ball with heavy duty hook.

MAIN HOIST SPECIFICATIONS

Planetary winch system powered by a high efficiency 2-speed motor of smooth service: anti-friction bearings, fully automatic, spring applied, hydraulically released safety brake.

Maximum single line speed

Bottom Layer	231 FPM (70 m/min)
Top Layer	308 FPM (94 m/min)

[High speed]

Bottom Layer	321 FPM (98 m/min)
Top Layer	428 FPM (130 m/min)

Maximum single line winch pull

Bottom Layer	14,900 lbs (6,759 kg)
Top Layer	11,710 lbs (5,067 kg)

Maximum permissible line pull

5/8 in (16mm) rotation resistant	10,802 lbs (4,900 kg)
5/8 in (16mm) 6 x 25 EIPS IWRC	9,500 lbs (4,309 kg)

Maximum cable storage capacity

5/8 in. (16mm)	390 ft (120 m)
----------------	----------------

SWING

360° continuous rotation, hydrostatic independent planetary reduction. Mechanism driven by a pinion gear sealed in a grease bath.

Heavy-duty swing bearing
Maximum speed: 3.0 rpm

HYDRAULIC SYSTEM

Caterpillar's hydraulic cross-sensing system consisting of two variable displacement, axial-piston pumps for all cranes and travel functions. A single section, gear type pump powers the pilot circuit. Main pumps are electronically controlled and dependent on engine speed. Power modes match hydraulic output to the crane application requirements

- 95% of the engine horsepower is deliverable as hydraulic power.

- CAT's XT hoses and O-ring face seal couplings are used throughout.

Combined capacity 110 GPM (416 LPM)

Maximum capacity operating pressure:

Travel 4,975 psi (350 bar)

Implements 4,550 psi (320 bar)

Reservoir 2 x 36 gallon (2 x 136 liters)

Valves

Caterpillar 325 Standard 8 bank valve block. Strategically located sample ports for oil and pressure checks.

Controls

Joystick (pilot-operated, adjustable) for swing, boom elevation, main and auxiliary hoists. Foot pedal for boom telescope and travel. Tracks extend and retract is controlled by Push button on the joysticks. Straight travel controls provided as standard.

ENGINE

Automatic engine control and electronic power unit control with back-up system.

Caterpillar 3116TA, 6.6L six cylinder, water-cooled, quad turbo-charged, diesel. 168hp (125 kW) @ 2000 rpm.

Fuel Tank Capacity 111 gallons (420 liters)

CAB

Quiet Caterpillar work station with ergonomic control placement and convenient adjustments, low lever and pedal effort, ergonomic seat design and highly efficient ventilation. Excellent viewing area through large, wide windows and a large push-open skylight provides upward visibility.

The operators cabin meets the following ISO standards:
ISO 5006; 3411; 2867; 10263; 6682; 7096

Cab includes:

Air conditioning with automatic climate control

AM/FM Radio with cassette player

Cigarette lighter & Ash tray

Coat hook

Compartments: Literature, Storage (lunchbox), Small tray on console

Drink holder

Floor mat

Handrails

Heater with defroster

Horn, signaling/warning

Hydraulic starter systems lock lever

Instrument panel with LCD gauges

Lights, Interior

Joysticks, pilot-operated, adjustable

Seat belt, retractable

Seat, four-way adjustable suspension with arm rests

Travel controls, pedals with removable levers

Ventilation, positive-filtered

Windows:

Windshield, upper retractable, laminated safety glass
 Windshield, lower removable, clear tempered safety glass
 Cab door window, sliding clear, tempered safety glass
 All other windows are tempered safety glass

LOAD MOMENT INDICATOR

LMI and anti-two block system, providing an electronic display of boom angle, length, radius, tip height, actual load and rated capacity. Audible and visual alarms. Hydraulic control lockout and function cut-off. Data logging.
 LMI monitors all stationary and pick and carry charts.

UNDERCARRIAGE

Caterpillar designed and built, hydraulically activated, variable gauge frame. Welded pentagonal track roller frames and hydraulic adjusters. Sealed and lubricated rollers and idlers. Sealed track with 32 in (800mm) triple-grouser shoes.

Crawler Drive System

Hand or foot actuated travel controls. Fully hydrostatic system. Each track is driven by one independent automatic shifting, two-speed axial piston motor via integral planetary final drives.

Maximum Speed	2.4 mph (3.86 km/h)
Ground Bearing Pressure	7.8 psi (0.55 kg/cm ²)
Maximum gradeability	30% at 2.4mph (3.86 km/h)

Gross Vehicle Weight

	<i>Lbs</i>	<i>Kg</i>
Basic Unit	79,000	35,835
(with full counterweights)		
Offset Jib	680	308
Telescopic Jib	1,700	771
Auxiliary Boom Nose	181	82
Auxiliary Hoist	275	125
Rear Counterweights	(16,943)	(7,685)

Other Standard Equipment

Alternator, 50 amp
 Hydraulic tank, additional
 Lights, working; frame mounted
 Locks, door and cab, one-key system
 Mirrors: Right-side and Cab
 Power mode selector, with memory function
 Steps
 Straight travel circuit
 Tow eyes
 Track guiding guards, center
 Travel, two-speed with automatic shift
 Safety Platform (Operator Cab)

OPTIONAL EQUIPMENT

Main Load Block

Various manufacturers recommended load blocks with heavy duty hook up to full load capacity.

Auxiliary Hoist (Non-Freefall)

With manufacturer's approved 5/8 in. (16mm) diameter, 328 ft (100m) rotation resisting wire rope.

Maximum single line speed

Bottom Layer	231 FPM (70 m/min)
Top Layer	308 FPM (94 m/min)

[High Speed]

Bottom Layer	321 FPM (98 m/min)
Top Layer	428 FPM (130 m/min)

Maximum single line winch pull with 5/8 in. (16 mm)

Bottom Layer	14,900 lbs (6,759 kg)
Top Layer	11,710 lbs (5,067 kg)

Maximum cable storage capacity

5/8 in. (16 mm) 390 ft (120 m)

Main Hoist (Controlled Freefall)

Planetary winch system with bottom layer maximum single line pull of 10,560 lbs (4,800 kg) and controlled freefall in lieu of standard non-freefall unit.

Auxiliary Hoist (Controlled Freefall)

2nd planetary winch system with bottom layer maximum single line pull of 10,560 lbs (4,800 kg) and controlled freefall in lieu of standard non-freefall unit.

Extension

25 ft. (7.6 m) jib (tubular construction) with 0°, 15° and 30° offset stows alongside main boom.
 Two-stage boom extension 30.5 ft – 55.0 ft (9.3m – 16.8m) non-offsettable.

Auxiliary Boom Nose

Detachable Auxiliary Boom Nose of steel construction with one nylon sheave grooved for 5/8 in. (16 mm) wire rope.

Wire Rope

Manufacturer's approved 5/8 in. (16 mm) diameter rotation resistant or 5/8 in. (16 mm) 6 x 25 EIPS IWRC wire rope available upon request.

Safety Walkway Package (with Safety Backrail)

Safety walkways of steel frame and high strength non-slip plastic alloy 2 ft (0.6m) wide extended from operator's cabin to end of crane. Walkways swing up into locking position for shipment.

Falling Object Guard (FOG)

Bolt-on Falling Object Guard is a reinforced steel covering for top of operator's cabin, designed to protect the operator from falling objects.

Wireless ATB Sensor

Boom length and ATB sensing assembly in lieu of standard recoil drum and line assembly, mounted on first boom power section with radio ATB receiver and transmitter for cordless operation.

Two-speed Auger

Pole Grab
 Lights; cab-mounted, boom-mounted
 Starting aid, cold weather
 Tool kit
 Various track shoes
 Diesel Refuelling Pump
 Catwalk
 Vandalism Protection for cab windshield

**For other optional items, please consult manufacturer.*

FAVCO 40T

TRACKS EXTENDED
Firm Level Ground 360° Rating

LOAD CHARTS @ 75% RATING

Radius		Boom Length feet / meter																
Feet	Meter	∠»	30.5 ft	9.2 m	∠»	52 ft	15.8 m	∠»	68 ft	20.6 m	∠»	84 ft	25.5 m	∠»	100 ft	30.3 m		
5.0	1.5	80°	82,100 lbs	37.3 t														
8.0	2.4	75°	66,000 lbs	30.0 t														
10.0	3.0	71°	61,025 lbs	27.7 t	79°	32,400 lbs	14.7 t											
12.0	3.6	67°	56,275 lbs	25.5 t	77°	32,400 lbs	14.7 t	80°	25,175 lbs	11.4 t								
15.0	4.5	60°	47,300 lbs	21.5 t	74°	31,225 lbs	14.2 t	78°	23,675 lbs	10.8 t								
20.0	6.1	49°	29,150 lbs	13.2 t	68°	28,425 lbs	12.9 t	74°	21,600 lbs	9.8 t	78°	16,775 lbs	7.6 t	80°	12,800 lbs	5.8 t		
25.0	7.6	34°	20,400 lbs	9.3 t	62°	21,050 lbs	9.6 t	70°	20,250 lbs	9.2 t	74°	15,675 lbs	7.1 t	77°	12,125 lbs	5.5 t		
30.0	9.1				55°	15,900 lbs	7.2 t	65°	16,075 lbs	7.3 t	71°	14,750 lbs	6.7 t	75°	11,525 lbs	5.2 t		
35.0	10.6				48°	12,475 lbs	5.7 t	60°	12,675 lbs	5.8 t	67°	12,775 lbs	5.8 t	72°	10,975 lbs	5.0 t		
40.0	12.1				40°	10,075 lbs	4.6 t	55°	10,250 lbs	4.7 t	63°	10,375 lbs	4.7 t	69°	10,275 lbs	4.7 t		
45.0	13.6				30°	8,275 lbs	3.8 t	49°	8,475 lbs	3.9 t	59°	8,575 lbs	3.9 t	65°	8,625 lbs	3.9 t		
50.0	15.2				15°	6,825 lbs	3.1 t	43°	7,075 lbs	3.2 t	55°	7,175 lbs	3.3 t	62°	7,225 lbs	3.3 t		
55.0	16.7							37°	5,950 lbs	2.7 t	51°	6,050 lbs	2.8 t	59°	6,125 lbs	2.8 t		
60.0	18.2	Information Load ratings above the heavy line are structurally limited capacities. Load ratings below the heavy line are stability limited capacities and do not exceed 75% of tipping.						28°	5,050 lbs	2.3 t	46°	5,150 lbs	2.3 t	55°	5,225 lbs	2.4 t		
65.0	19.7							17°	4,275 lbs	1.9 t	41°	4,400 lbs	2.0 t	51°	4,475 lbs	2.0 t		
70.0	21.2										35°	3,750 lbs	1.7 t	48°	3,825 lbs	1.7 t		
75.0	22.7										28°	3,200 lbs	1.5 t	43°	3,275 lbs	1.5 t		
80.0	24.2										18°	2,725 lbs	1.2 t	39°	2,800 lbs	1.3 t		
85.0	25.8					Note: ∠» Loaded Boom Angle										33°	2,375 lbs	1.1 t
90.0	27.3															27°	2,025 lbs	0.9 t
95.0	28.8											19°	1,675 lbs	0.8 t				
Boom Horizontal			14,380 lbs	6.5 t	0°	6,120 lbs	2.8 t	0°	3,700 lbs	1.7 t	0°	2,270 lbs	1.0 t	0°	1,320 lbs	0.6 t		

NOTICE: This capacity chart is for reference only and must not be used for lifting purposes
Meets ANSI/ASME B 30.5 and DIN 15018 DIN 15019 Requirements

FAVCO 40T

TRACKS EXTENDED
 $\leq 2^\circ$ Slope 360° Rating

LOAD CHARTS @ 75% RATING

Radius		Boom Length feet / meter															
Feet	Meter	∠▶	30.5 ft	9.2 m	∠▶	52 ft	15.8 m	∠▶	68 ft	20.6 m	∠▶	84 ft	25.5 m	∠▶	100 ft	30.3 m	
5.0	1.5	80°	76,000 lbs	34.5 t													
8.0	2.4	75°	61,100 lbs	27.7 t													
10.0	3.0	71°	56,500 lbs	25.6 t	79°	30,000 lbs	13.6 t										
12.0	3.6	67°	52,100 lbs	23.6 t	77°	30,000 lbs	13.6 t	80°	23,300 lbs	10.6 t							
15.0	4.5	60°	45,030 lbs	20.4 t	74°	28,900 lbs	13.1 t	78°	21,900 lbs	9.9 t							
20.0	6.1	49°	27,760 lbs	12.6 t	68°	26,300 lbs	11.9 t	74°	20,000 lbs	9.1 t	78°	15,510 lbs	7.0 t	80°	11,830 lbs	5.4 t	
25.0	7.6	34°	19,420 lbs	8.8 t	62°	20,030 lbs	9.1 t	70°	18,750 lbs	8.5 t	74°	14,510 lbs	6.6 t	77°	11,210 lbs	5.1 t	
30.0	9.1				55°	15,120 lbs	6.9 t	65°	15,290 lbs	6.9 t	71°	13,650 lbs	6.2 t	75°	10,660 lbs	4.8 t	
35.0	10.6				48°	11,880 lbs	5.4 t	60°	12,060 lbs	5.5 t	67°	12,150 lbs	5.5 t	72°	10,160 lbs	4.6 t	
40.0	12.1				40°	9,580 lbs	4.4 t	55°	9,760 lbs	4.4 t	63°	9,860 lbs	4.5 t	69°	9,510 lbs	4.3 t	
45.0	13.6				30°	7,860 lbs	3.6 t	49°	8,050 lbs	3.7 t	59°	8,150 lbs	3.7 t	65°	8,210 lbs	3.7 t	
50.0	15.2				15°	6,500 lbs	3.0 t	43°	6,720 lbs	3.1 t	55°	6,820 lbs	3.1 t	62°	6,880 lbs	3.1 t	
55.0	16.7							37°	5,660 lbs	2.6 t	51°	5,760 lbs	2.6 t	59°	5,820 lbs	2.7 t	
60.0	18.2	Information Load ratings above the heavy line are structurally limited capacities. Load ratings below the heavy line are stability limited capacities and do not exceed 75% of tipping.						28°	4,790 lbs	2.2 t	46°	4,900 lbs	2.2 t	55°	4,960 lbs	2.3 t	
65.0	19.7							17°	4,050 lbs	1.8 t	41°	4,180 lbs	1.9 t	51°	4,240 lbs	1.9 t	
70.0	21.2											35°	3,570 lbs	1.6 t	48°	3,630 lbs	1.7 t
75.0	22.7											28°	3,040 lbs	1.4 t	43°	3,110 lbs	1.4 t
80.0	24.2											18°	2,580 lbs	1.2 t	39°	2,660 lbs	1.2 t
85.0	25.8			Note: ∠▶ Loaded Boom Angle										33°	2,260 lbs	1.0 t	
90.0	27.3														27°	1,910 lbs	0.9 t
95.0	28.8														19°	1,590 lbs	0.7 t
Boom Horizontal			14,380 lbs	6.5 t	0°	6,120 lbs	2.8 t	0°	3,700 lbs	1.7 t	0°	2,270 lbs	1.0 t	0°	1,320 lbs	0.6 t	

NOTICE: This capacity chart is for reference only and must not be used for lifting purposes
 Meets ANSI/ASME B 30.5 and DIN 15018 DIN 15019 Requirements

FAVCO 40T

TRACKS EXTENDED
2 – 5° Slope 360° Rating

LOAD CHARTS @ 75% RATING

Radius		Boom Length feet / meter																	
Feet	Meter	∠»	30.5 ft	9.2 m	∠»	52 ft	15.8 m	∠»	68 ft	20.6 m	∠»	84 ft	25.5 m	∠»	100 ft	30.3 m			
5.0	1.5	80°	43,500 lbs	19.7 t															
8.0	2.4	75°	38,500 lbs	17.5 t															
10.0	3.0	71°	36,700 lbs	16.7 t	79°	21,100 lbs	9.6 t												
12.0	3.6	67°	34,700 lbs	15.8 t	77°	20,300 lbs	9.2 t	80°	14,600 lbs	6.6 t									
15.0	4.5	60°	32,200 lbs	14.6 t	74°	19,250 lbs	8.7 t	78°	13,620 lbs	6.2 t									
20.0	6.1	49°	25,880 lbs	11.8 t	68°	18,150 lbs	8.2 t	74°	12,800 lbs	5.8 t	78°	10,480 lbs	4.8 t	80°	8,250 lbs	3.8 t			
25.0	7.6	34°	18,110 lbs	8.2 t	62°	16,950 lbs	7.7 t	70°	12,080 lbs	5.5 t	74°	9,940 lbs	4.5 t	77°	7,890 lbs	3.6 t			
30.0	9.1				55°	14,100 lbs	6.4 t	65°	11,460 lbs	5.2 t	71°	9,500 lbs	4.3 t	75°	7,560 lbs	3.4 t			
35.0	10.6				48°	11,080 lbs	5.0 t	60°	10,910 lbs	5.0 t	67°	9,270 lbs	4.2 t	72°	7,260 lbs	3.3 t			
40.0	12.1				40°	8,940 lbs	4.1 t	55°	9,100 lbs	4.1 t	63°	8,870 lbs	4.0 t	69°	6,990 lbs	3.2 t			
45.0	13.6				30°	7,330 lbs	3.3 t	49°	7,500 lbs	3.4 t	59°	7,600 lbs	3.5 t	65°	6,750 lbs	3.1 t			
50.0	15.2				15°	6,060 lbs	2.8 t	43°	6,270 lbs	2.9 t	55°	6,360 lbs	2.9 t	62°	6,410 lbs	2.9 t			
55.0	16.7							37°	5,270 lbs	2.4 t	51°	5,370 lbs	2.4 t	59°	5,430 lbs	2.5 t			
60.0	18.2	Information						28°	4,460 lbs	2.0 t	46°	4,570 lbs	2.1 t	55°	4,620 lbs	2.1 t			
65.0	19.7	Load ratings above the heavy line are structurally limited capacities. Load ratings below the heavy line are stability limited capacities and do not exceed 75% of tipping.						17°	3,770 lbs	1.7 t	41°	3,890 lbs	1.8 t	51°	3,590 lbs	1.6 t			
70.0	21.2												35°	3,320 lbs	1.5 t	48°	3,390 lbs	1.5 t	
75.0	22.7													28°	2,830 lbs	1.3 t	43°	2,900 lbs	1.3 t
80.0	24.2													18°	2,400 lbs	1.1 t	39°	2,480 lbs	1.1 t
85.0	25.8							Note: ∠» Loaded Boom Angle									33°	2,110 lbs	1.0 t
90.0	27.3																27°	1,780 lbs	0.8 t
95.0	28.8																19°	1,490 lbs	0.7 t
Boom Horizontal			13,420 lbs	6.1 t	0°	5,710 lbs	2.6 t	0°	3,450 lbs	1.6 t	0°	2,120 lbs	1.0 t	0°	1,230 lbs	0.6 t			

NOTICE: This capacity chart is for reference only and must not be used for lifting purposes
Meets ANSI/ASME B 30.5 and DIN 15018 DIN 15019 Requirements

FAVCO 40T

TRACKS RETRACTED
 $\leq 2^\circ$ Slope 360° Rating

LOAD CHARTS @ 75% RATING

Radius		Boom Length feet / meter																	
Feet	Meter	∠»	30.5 ft	9.2 m	∠»	52 ft	15.8 m	∠»	68 ft	20.6 m	∠»	84 ft	25.5 m	∠»	100 ft	30.3 m			
5.0	1.5	80°	76,000 lbs	34.5 t															
8.0	2.4	75°	61,100 lbs	27.7 t															
10.0	3.0	71°	50,410 lbs	22.9 t	79°	30,000 lbs	13.6 t												
12.0	3.6	67°	37,300 lbs	16.9 t	77°	30,000 lbs	13.6 t	80°	23,300 lbs	10.6 t									
15.0	4.5	60°	26,310 lbs	11.9 t	74°	26,850 lbs	12.2 t	78°	21,900 lbs	9.9 t									
20.0	6.1	49°	16,950 lbs	7.7 t	68°	17,480 lbs	7.9 t	74°	17,640 lbs	8.0 t	78°	15,510 lbs	7.0 t	80°	11,830 lbs	5.4 t			
25.0	7.6	34°	11,950 lbs	5.4 t	62°	12,500 lbs	5.7 t	70°	12,650 lbs	5.7 t	74°	12,740 lbs	5.8 t	77°	11,210 lbs	5.1 t			
30.0	9.1				55°	9,410 lbs	4.3 t	65°	9,560 lbs	4.3 t	71°	9,650 lbs	4.4 t	75°	9,700 lbs	4.4 t			
35.0	10.6				48°	7,290 lbs	3.3 t	60°	7,450 lbs	3.4 t	67°	7,540 lbs	3.4 t	72°	7,590 lbs	3.5 t			
40.0	12.1				40°	5,760 lbs	2.6 t	55°	5,920 lbs	2.7 t	63°	6,010 lbs	2.7 t	69°	6,060 lbs	2.8 t			
45.0	13.6				30°	4,580 lbs	2.1 t	49°	4,760 lbs	2.2 t	59°	4,850 lbs	2.2 t	65°	4,900 lbs	2.2 t			
50.0	15.2				15°	3,640 lbs	1.7 t	43°	3,840 lbs	1.8 t	55°	3,940 lbs	1.8 t	62°	3,990 lbs	1.8 t			
55.0	16.7							37°	3,100 lbs	1.4 t	51°	3,200 lbs	1.5 t	59°	3,260 lbs	1.5 t			
60.0	18.2	Information						28°	2,490 lbs	1.1 t	46°	2,600 lbs	1.2 t	55°	2,650 lbs	1.2 t			
65.0	19.7	Load ratings above the heavy line are structurally limited capacities. Load ratings below the heavy line are stability limited capacities and do not exceed 75% of tipping.						17°	1,970 lbs	0.9 t	41°	2,090 lbs	1.0 t	51°	2,150 lbs	1.0 t			
70.0	21.2												35°	1,650 lbs	0.8 t	48°	1,720 lbs	0.8 t	
75.0	22.7												28°	1,280 lbs	0.6 t	43°	1,350 lbs	0.6 t	
80.0	24.2												18°	940 lbs	0.4 t	39°	1,020 lbs	0.5 t	
85.0	25.8							Note: ∠» Loaded Boom Angle								33°	740 lbs	0.3 t	
90.0	27.3																27°	480 lbs	0.2 t
95.0	28.8																19°	250 lbs	0.1 t
Boom Horizontal			8,730 lbs	4.0 t	0°	3,360 lbs	1.5 t	0°	1,710 lbs	0.8 t	0°	710 lbs	0.3 t	0°	0 lbs	0.0 t			

NOTICE: This capacity chart is for reference only and must not be used for lifting purposes
 Meets ANSI/ASME B 30.5 and DIN 15018 DIN 15019 Requirements

LOAD CHART INFORMATION

REEVING DIAGRAM

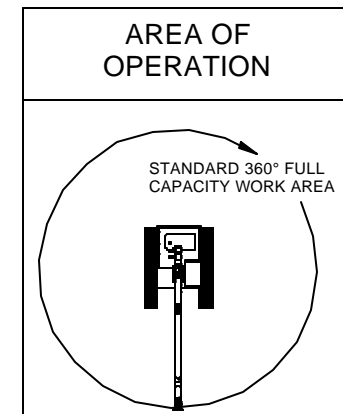
FAVCO 40T

- The operator must read and understand the owner's manual before operating this crane.
- Positioning or operation of crane beyond areas shown on operating range diagram is not intended or approved except where specified in owner's manual.
- Loaded boom angles at specified boom lengths give only an approximation of the actual operating radius. The boom angle before loading should be greater to account for deflections and not exceed the operating radius for rated loads.
- For boom angles not shown on load rating chart, use rating of next lower boom angle.
- For boom lengths now shown, use rating of next shorter or longer boom length, whichever is less. For radii not shown, use rating of next longer radius.
- Crane load ratings are based upon freely suspended loads with the machine on a firm uniform supporting surface at a terrain slope not greater than stated on the chart and shall not exceed 5 degrees. Consult the appropriate load chart to determine crane load ratings based upon stationary or pick and carry operations, tracks extended or retracted, optional jib installation, and terrain slope. Travel speeds for pick and carry should be reduced for boom lengths greater than 60 feet (18.3m). No attempt shall be made to move a load horizontally on the ground in any direction.
- Travel speed with a load suspended from the hook must be restricted by the operator who must consider the weight, length and terrain.
- Use of a jib is permitted only on a terrain slope not greater than 0.5 degrees and is limited to the tracks extended configuration. No pick and carry operations are permitted with the load suspended from the jib tip.
- Operation with the tracks retracted is limited to a terrain slope not greater than 2 degrees.
- Practical working loads depend on supporting surface, wind, and other factors affecting stability such as hazardous surroundings, experience of personnel, and proper handling, all of the above must be taken into account by the operator.
- The maximum load which may be telescoped is limited by hydraulic pressure, boom angle, and boom lubrication. It is safe to attempt to telescope any load within the limits of the load rating chart.
- Do not operate crane if winds are over 35 miles/hour (56 kilometers/hour).
- Rigging mode is accessible through L.M.I.
- Track mounted counterweights must be installed when crane is operational.
- Deductions must be made from rated loads for optional attachments, hooks and load blocks (see load handling information chart). Weights of slings and all other load handling devices shall be considered as a part of the load.
- The L.M.I. Will prevent picking of load when the terrain slope is greater than 5 degrees.
- Load ratings above the heavy line are structurally limited capacities. Load ratings below the heavy line are stability limited capacities and do not exceed 75% of tipping.
- Operating radius is horizontal distance from the center of rotation to the center of the vertical hoist line or tackle with load applied.
- Loaded boom angle as shown in the column headed by \angle^0 is the included angle between the horizontal and the longitudinal axes of the boom base after lifting rated load at rated radius.

DEDUCTIONS FROM RATED LOADS FOR FAVELLE FAVCO SUPPLIED LOAD HANDLING

AUXILIARY BLOCK-----	50 lbs / 23 kg
AUXILIARY SHEAVE -----	50 lbs / 23 kg
OVERHAUL BALL -----	SEE OVERHAUL BALL MANUFACTURER NAMEPLATE
LOAD BLOCK-----	SEE BLOCK MANUFACTURER NAMEPLATE
HOSE REEL-----	140 lbs / 63.5 kg
JIB with GLOVE & PINS-----	520 lbs / 236 kg
OFFSET SHEAVE-----	220 lbs / 100 kg
AUXILIARY BOOM NOSE -----	181 lbs / 82 kg

40-T ALLOWABLE LINE PULL								WARNING
1 PART LINE	2 PART LINE	3 PART LINE	4 PART LINE	5 PART LINE	6 PART LINE	7 PART LINE	8 PART LINE	
								<p>ANTI-TWO-BLOCK SYSTEM MUST BE IN GOOD OPERATING CONDITION BEFORE OPERATING CRANE.</p> <p>REFER TO THE OWNER'S MANUAL</p> <p>KEEP AT LEAST 3 WRAPS OF LOAD LINE ON THE DRUM AT ALL TIMES.</p>
4 t [8600 lb]	8 t [16000 lb]	13 t [28600 lb]	17 t [35000 lb]	22 t [47000 lb]	26 t [57000 lb]	30 t [66500 lb]	34 t [76000 lb]	
4.9 t [10800 lb]	9 t [21604 lb]	14.7 t [32408 lb]	19.6 t [43208 lb]	24.5 t [54010 lb]	29.4 t [64812 lb]	34.3 t [75614 lb]	38 t [80000 lb]	<p>18mm [5/8"] 8 X 25 TUBC (3.61 SW)-10T [33200 lb] MIN BREAKING STRENGTH</p> <p>18mm [5/8"] 80T RESISTANT (5.01 SW)-84.6L [64,019 lb] MIN BREAKING STRENGTH</p>

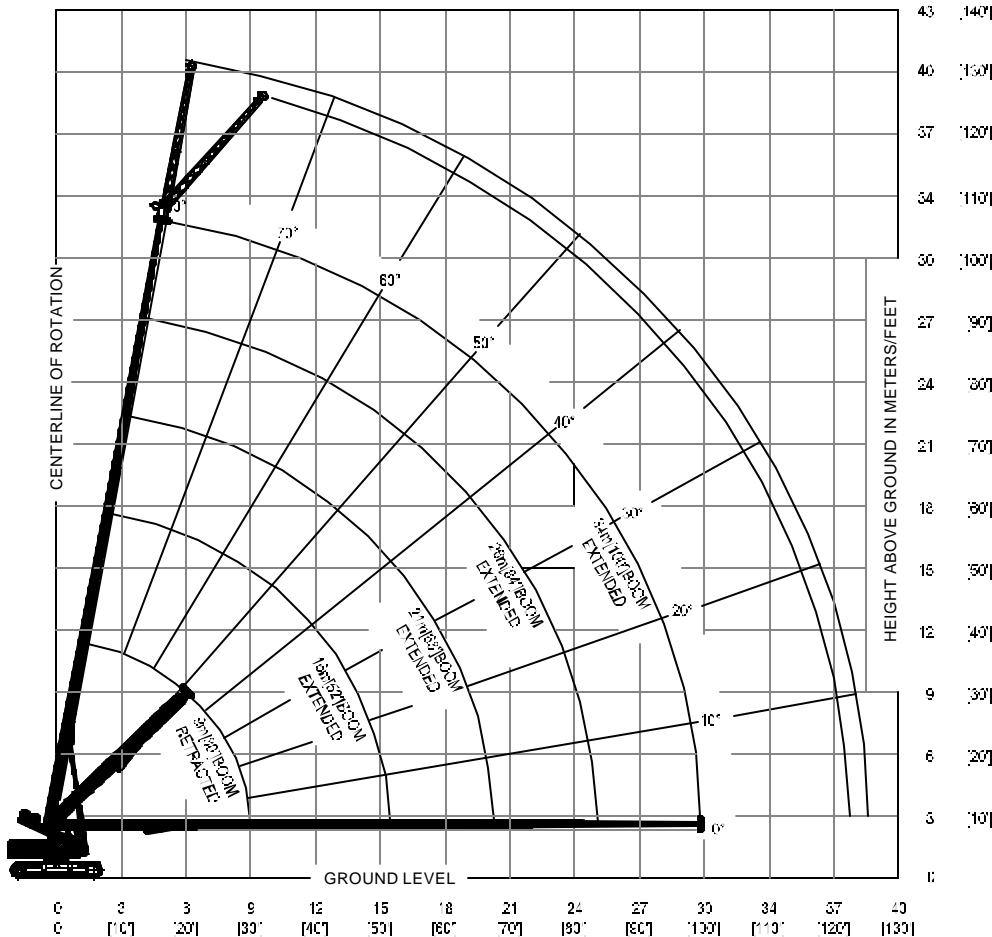


BASIC UNIT WEIGHT: 73,000 lbs.

FAVCO 40T

MAIN BOOM WITH
25 ft (8.0 m) OFFSET JIB

40T OPERATING RADIUS FROM CENTERLINE OF ROTATION IN METERS / IFEET



SWING AROUND JIB CAPACITIES LBS/METRIC TONS FIRM LEVEL GROUND / TRACKS EXTENDED 25 FOOT (8 METER) OFFSET BASED UPON FULLY EXTENDED BOOM

Boom Angle (Degrees)	On Firm Level Ground							
	Jib Offset Angle (Degrees)							
	0°		15°		30°			
80°	5500 lb	2.49 t	3125 lb	1.42 t	2275 lb	1.03 t		
78°	4950 lb	2.25 t	2925 lb	1.33 t	2200 lb	1.00 t		
75°	4350 lb	1.97 t	2740 lb	1.24 t	2115 lb	0.96 t		
70°	3650 lb	1.66 t	2480 lb	1.12 t	1990 lb	0.90 t		
65°	3125 lb	1.42 t	2275 lb	1.03 t	1890 lb	0.86 t		
60°	2740 lb	1.24 t	2115 lb	0.96 t	1815 lb	0.82 t		
55°	2480 lb	1.12 t	1990 lb	0.90 t	1755 lb	0.80 t		
50°	2275 lb	1.03 t	1890 lb	0.86 t	1715 lb	0.78 t		
45°	2115 lb	0.96 t	1815 lb	0.82 t	1685 lb	0.76 t		
40°	1775 lb	0.81 t	1710 lb	0.78 t	1485 lb	0.67 t		
35°	1550 lb	0.70 t	1505 lb	0.68 t	1485 lb	0.67 t		
30°	1400 lb	0.64 t	1370 lb	0.62 t	1355 lb	0.61 t		
25°	1275 lb	0.58 t	1250 lb	0.57 t				
20°	1200 lb	0.54 t	1185 lb	0.54 t				
15°	1125 lb	0.51 t	1115 lb	0.51 t				
10°	1075 lb	0.49 t						
5°	1050 lb	0.48 t						
0°	1025 lb	0.46 t						

INFORMATION

Load ratings above the heavy line are structurally limited capacities. Load ratings below the heavy line are stability limited capacities and do not exceed 75% of tipping.

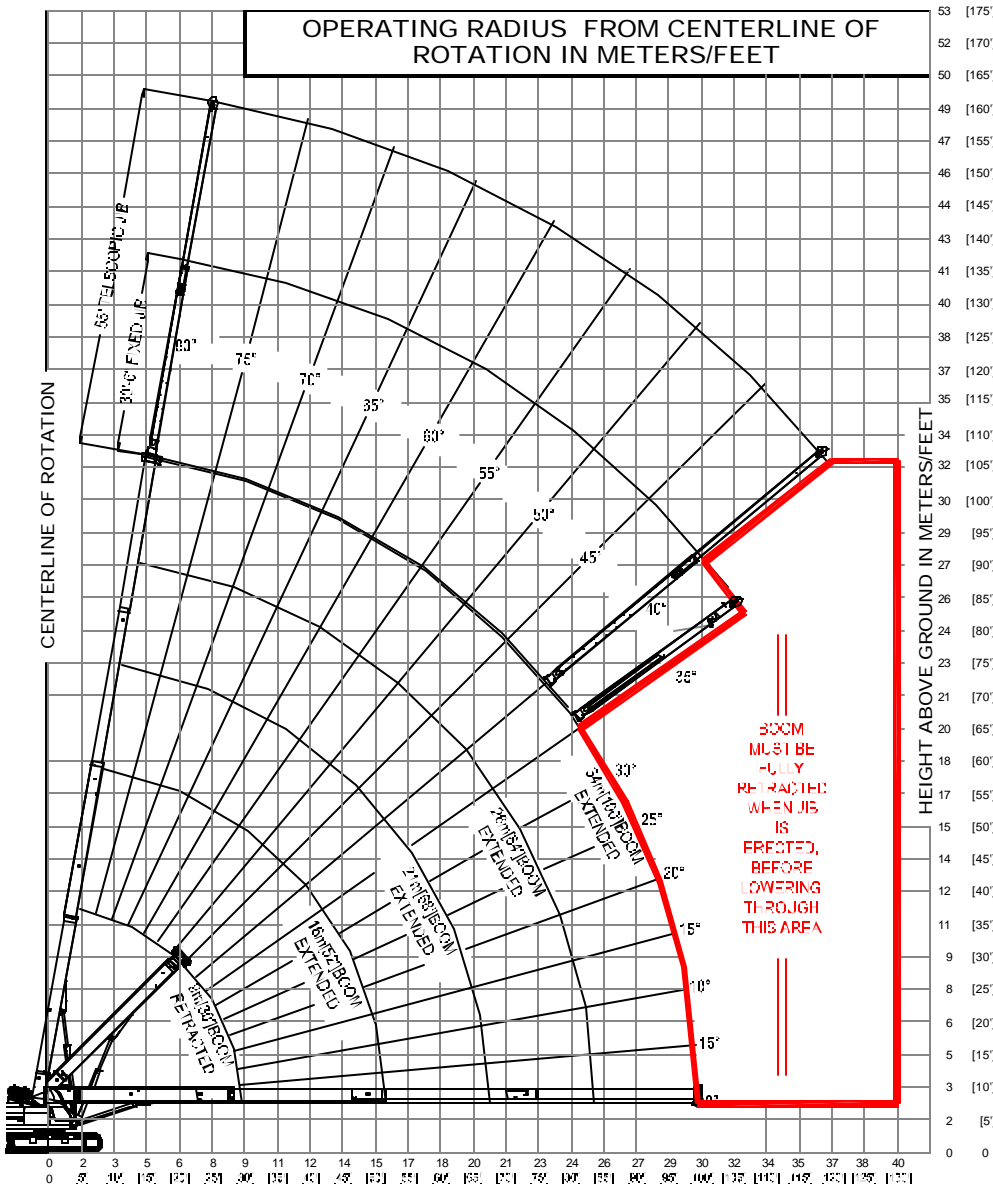
NOTICE: This capacity chart is for reference only and must not be used for lifting purposes

Meets ANSI/ASME B 30.5 and DIN 15018 DIN 15019 Requirements

FAVCO 40T

MAIN BOOM WITH
30.5 ft to 55.0 ft (9.2 m to 16.7 m) TELESCOPIC JIB

40T OPERATING RADIUS FROM CENTERLINE OF ROTATION
IN METERS / FEET



SWING AROUND JIB CAPACITIES LBS/METRIC TONS
FIRM LEVEL GROUND / TRACKS EXTENDED
30.5FT TO 55.0FT (9.2M TO 16.7M) NON-OFFSET
BASED UPON FULLY EXTENDED BOOM

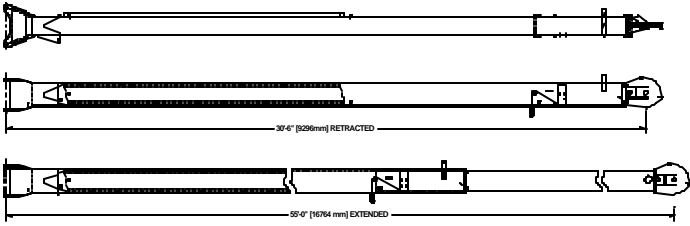
ON FIRM LEVEL GROUND										
FIXED JIB					TELESCOPIC JIB					
Operating Radius		Loaded Boom Angle			Loaded Boom Angle	RETRACTED		Loaded Boom Angle	EXTENDED	
Feet	Meter		▶	30.5 ft 9.2 m		▶	30.5 ft 9.2 m		▶	55 ft 16.7 m
15	4.5									
20	6.1									
25	7.6									
30	9.1	77.7	6,570 lbs	2.99 t	77.7	6300 lbs	2.86 t			
35	10.6	75.7	6,390 lbs	2.90 t	75.7	6120 lbs	2.78 t	78.0	3,600 lbs	1.64 t
40	12.1	73.6	5,958 lbs	2.71 t	73.6	5616 lbs	2.55 t	76.0	3,465 lbs	1.58 t
45	13.6	71.4	5,454 lbs	2.48 t	71.4	5103 lbs	2.32 t	74.5	3,330 lbs	1.52 t
50	15.2	69.1	4,995 lbs	2.27 t	69.1	4635 lbs	2.11 t	72.6	3,195 lbs	1.45 t
55	16.7	66.7	4,590 lbs	2.09 t	66.7	4221 lbs	1.92 t	70.6	2,979 lbs	1.36 t
60	18.2	64.4	4,212 lbs	1.92 t	64.4	3789 lbs	1.72 t	68.9	2,781 lbs	1.27 t
65	19.7	61.9	3,789 lbs	1.72 t	61.9	3366 lbs	1.53 t	66.8	2,610 lbs	1.19 t
70	21.2	59.4	3,420 lbs	1.56 t	59.4	2997 lbs	1.36 t	65.0	2,439 lbs	1.11 t
75	22.7	56.7	2,880 lbs	1.31 t	56.7	2520 lbs	1.15 t	63.1	2,295 lbs	1.05 t
80	24.2	53.9	2,421 lbs	1.10 t	53.9	2061 lbs	0.94 t	61.0	2,160 lbs	0.99 t
85	25.8	50.9	2,025 lbs	0.92 t	50.9	1665 lbs	0.76 t	58.9	2,043 lbs	0.93 t
90	27.3	48.0	1,683 lbs	0.77 t	48.0	1314 lbs	0.60 t	56.8	1,872 lbs	0.85 t
95	28.8	44.7	1,377 lbs	0.63 t	44.7	1008 lbs	0.46 t	54.4	1,638 lbs	0.75 t
100	30.3	41.4	1,107 lbs	0.51 t	41.4	738 lbs	0.34 t	52.0	1,359 lbs	0.62 t
105	31.8	37.6	864 lbs	0.40 t	37.6	495 lbs	0.23 t	49.4	1,116 lbs	0.51 t
110								46.8	891 lbs	0.41 t
115								44.1	693 lbs	0.32 t
120								41.2	504 lbs	0.23 t

INFORMATION

Load ratings above the heavy line are structurally limited capacities. Load ratings below the heavy line are stability limited capacities and do not exceed 75% of tipping.

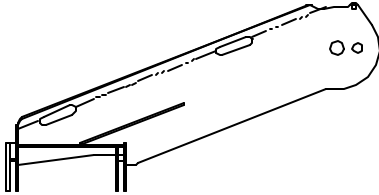
NOTICE: This capacity chart is for reference only and must not be used for lifting purposes

Meets ANSI/ASME B 30.5 and DIN 15018 DIN 15019 Requirements



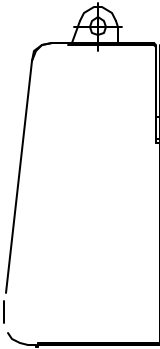
TELESCOPIC JIB

LENGTH	9296 mm	30ft 6 in Retracted
	16764 mm	55ft Extended
WIDTH	635 mm	2 ft 1 in
HEIGHT	477 mm	1 ft 6.75 in
WEIGHT:	771 kg	1700 lbs



OFFSET SHEAVE

LENGTH	1405 mm	4ft 7.5in
WIDTH	539 mm	1ft 9.25 in.
HEIGHT	730 mm	2ft 5 in
WEIGHT	82 kg	181 lbs



COUNTERWEIGHT

LENGTH	2900 mm	9 ft. 6.25 in.
WIDTH	584 mm	1 ft 11 in.
HEIGHT	1125 mm	3 ft 8.25 in.
WEIGHT	7685 kg	16943 lbs

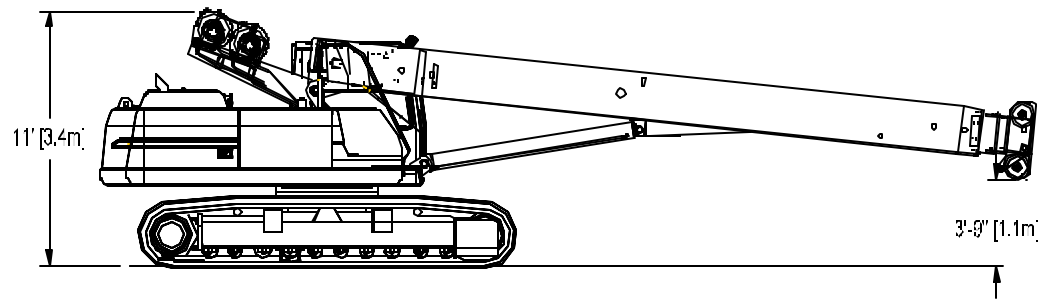
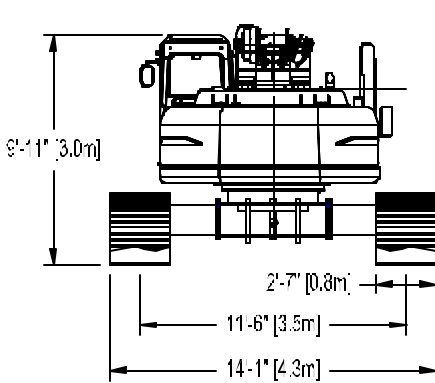
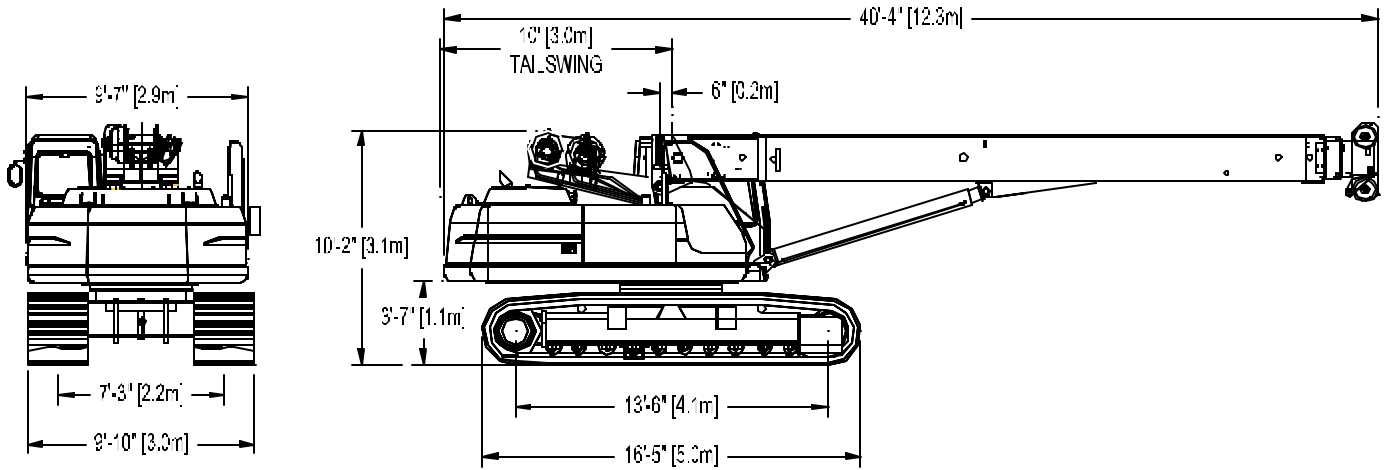


OFFSET JIB

LENGTH	588 mm	18 ft 4 in
WIDTH	250 mm	10 in.
HEIGHT	323 mm	1 ft 0.75 in
WEIGHT	308 kg	680 lbs

DIMENSIONS

FAVCO 40T



FAVELLE FAVCO CRANES USA, INC
 4 Mile East, FM 106, PO Box 3049
 Harlingen, Texas 78551-3049 USA
 Tel: (956) 428-7488
 Fax: (956) 428-7749
 Email: sales@favcousa.com

www.favellefavco.com

Dealer:

Malaysia Tel: +603 3373-7835 Fax: +603 3373-7830 Email: admin@ffc.po.my
Australia Tel: +612 9608-2000 Fax: +612 9607-0022 Email: favcosyd@favellefavco.com.au
Singapore Tel: +65 366-3508 Fax: +65 366-3503 Email: favelle@singnet.com.sg
London Tel: +44 20 7016-9701 Fax: +44 20 7016-9100 Email: favcokroll@aol.com
Denmark Tel: +45 4818-7400 Fax: +45 4818-8807 Email: krollcranes@krollcranes.dk
Thailand Tel: +66 2261-0580 Fax: +66 2259-1537 Email: favco@bkk4.loxinfo.co.th

Note: All charts and specifications are for information only and should not be used for lifting purposes. Continuous engineering and improvements makes it necessary that we reserve the right to make specification, equipment and price changes without notice.