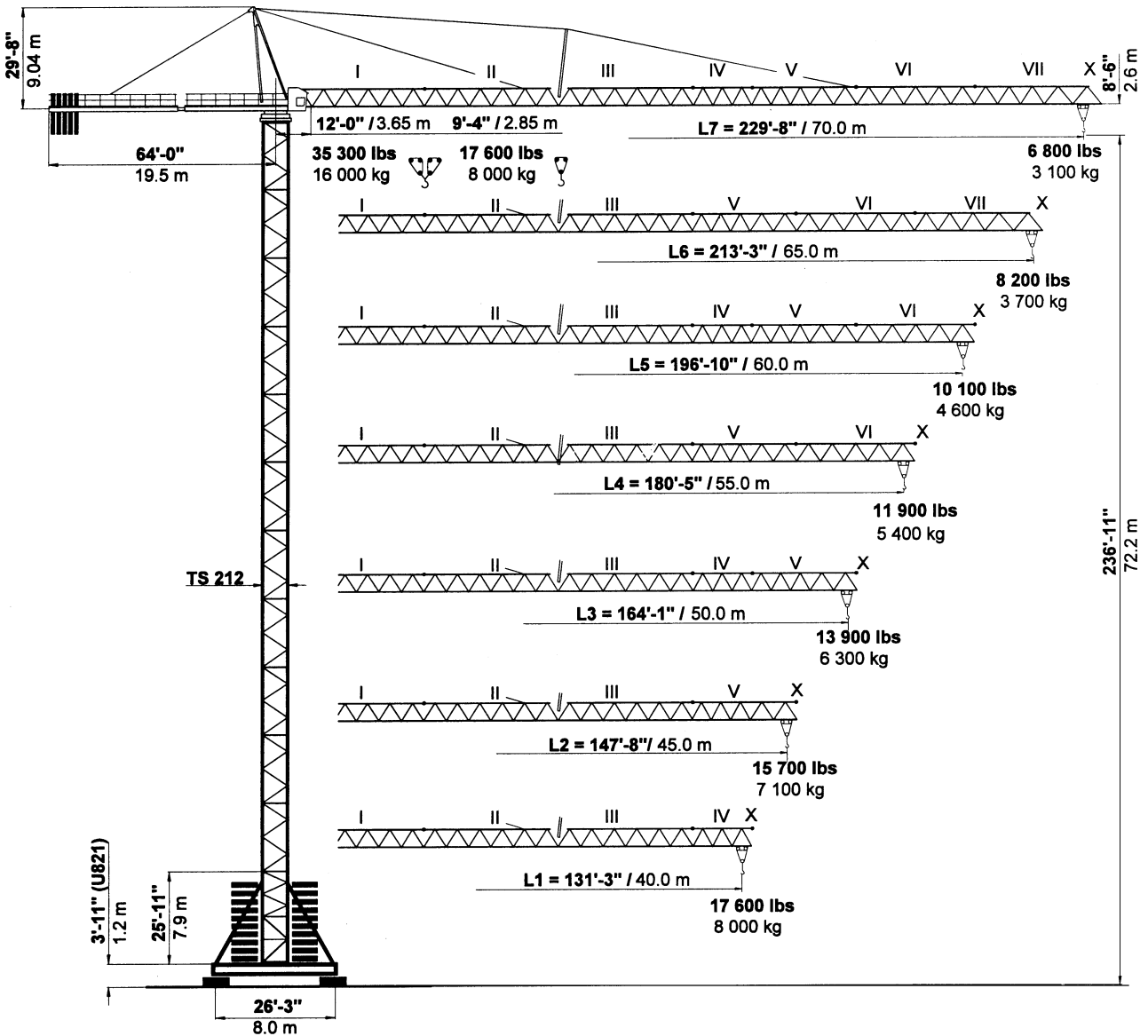




PEINER SK 315

Hammerhead Tower Crane
17,600-35,300 lbs. (8-16 mt)
Lifting Capacity

SPECIFICATIONS

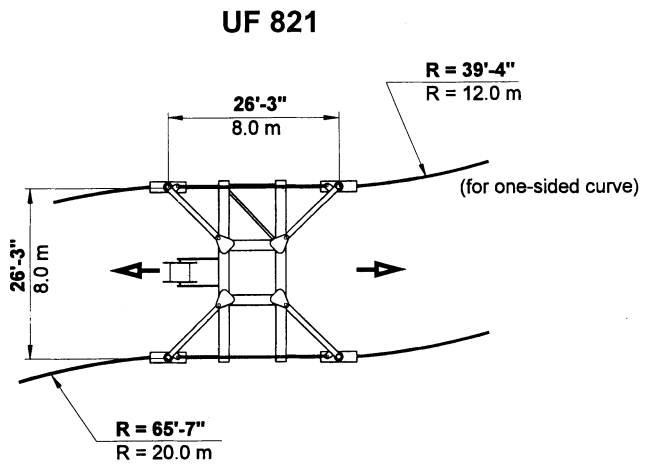
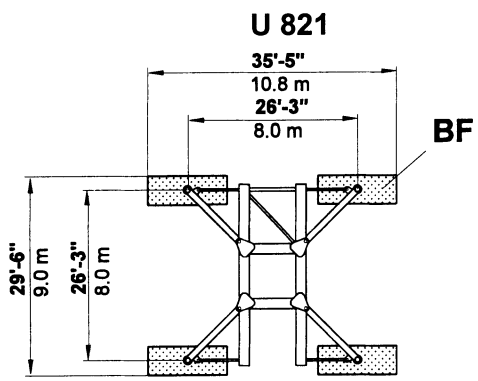
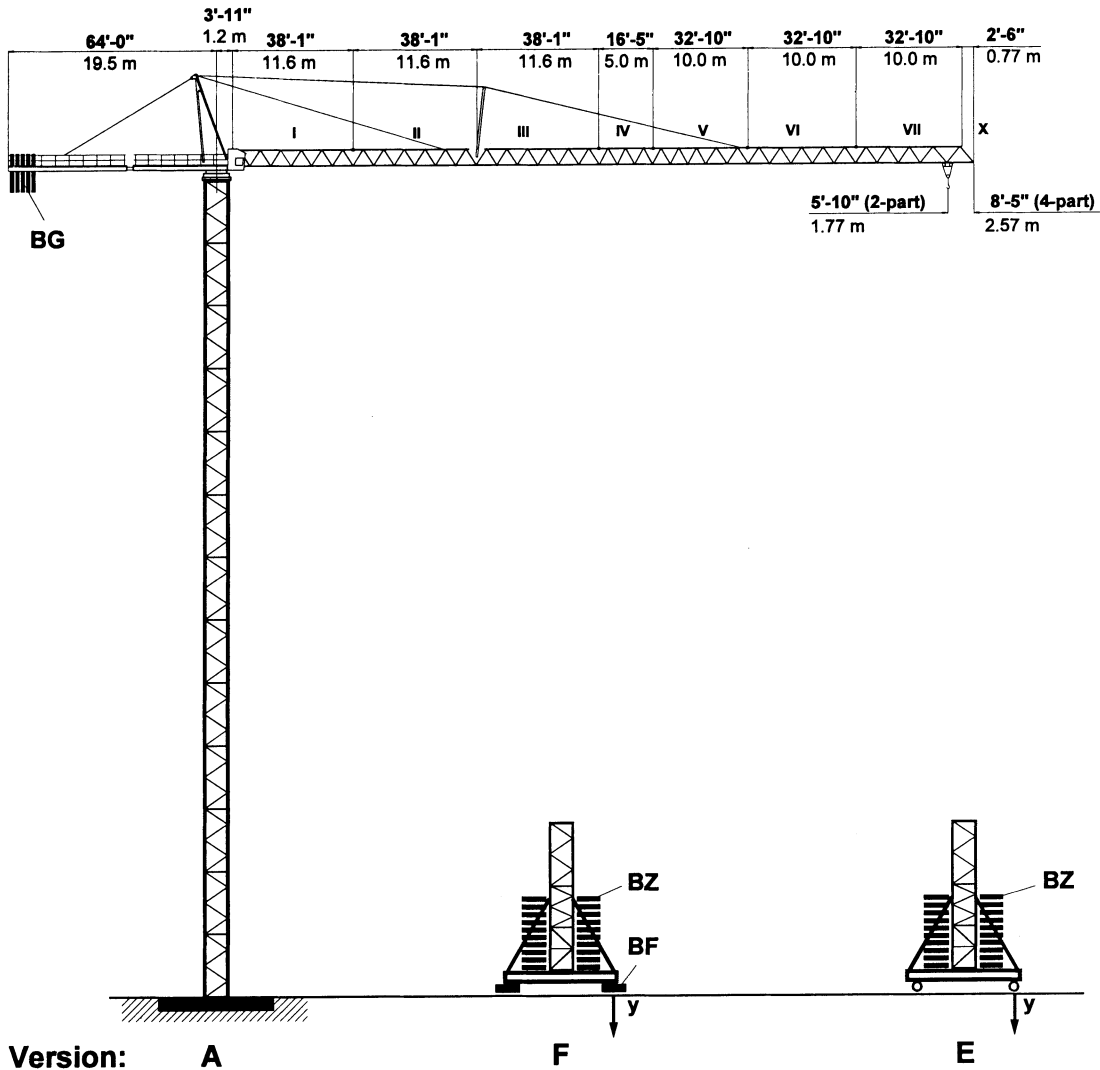


simple, available and
cost effective™

Machines shown may have optional equipment.

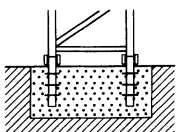
PEINER SK 315

Combinations of tower section, hook heights, forces acting per corner, base ballast

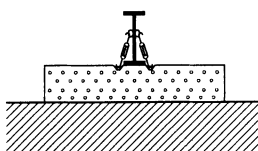


Ground support

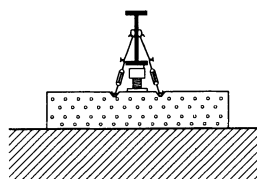
Version: A



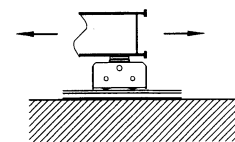
F

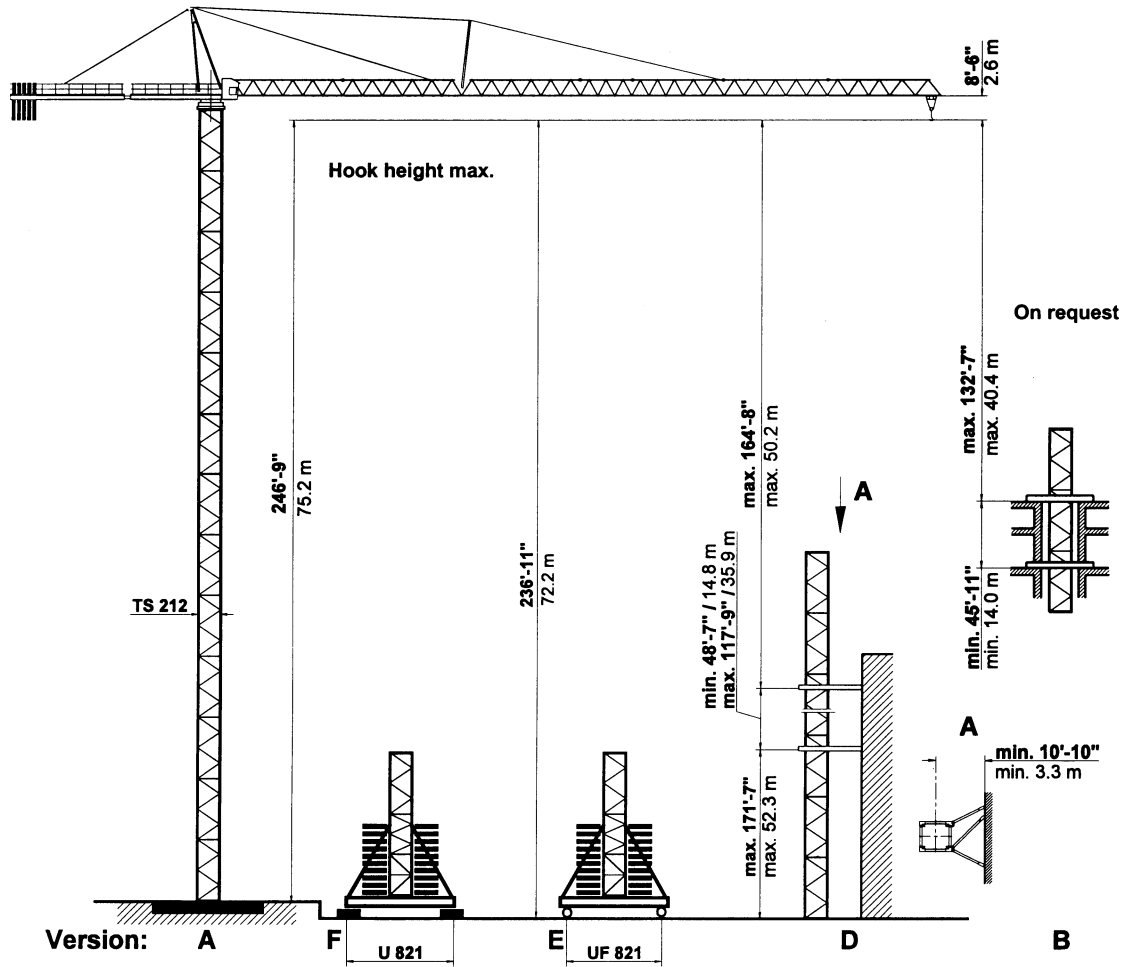


F / SP



E





TS 212	Version A	Version F			Version E					
Tower	HH	Tower	HH	BZ + BF	in service	out of service	BZ	in service	out of service	
TS 212.1	ft m	TSV 212 TS 212.1	ft m	kips / t	kips / kN	kips / kN	kips / t	kips / kN	kips / kN	
13 x TS 212.1	246'-9"*** 75.2*									
12 x TS 212.1	227'-4"*** 69.3*	1 x TSV 212 11 x TS 212.1	236'-11"*** 72.2*	212.0 96	204 909	279 1243	198.0 90	212 942	282 1253	
11 x TS 212.1	208'-0"*** 63.4*	1 x TSV 212 10 x TS 212.1	217'-6"*** 66.3*	168.0 76	186 826	240 1066	154.0 70	192 856	242 1075	
10 x TS 212.1	188'-8"*** 57.5*	1 x TSV 212 9 x TS 212.1	198'-2"*** 60.4	146.0 66	173 770	203 901	132.0 60	179 797	204 909	
9 x TS 212.1	169'-4"*** 51.6	1 x TSV 212 8 x TS 212.1	178'-10"*** 54.5	124.0 56	161 715	169 751	88.0 40	161 715	169 754	
8 x TS 212.1	149'-11"*** 45.7	1 x TSV 212 7 x TS 212.1	159'-5"*** 48.6	101.0 46	149 661	145 645	88.0 40	154 683	170 654	
7 x TS 212.1	130'-7"*** 39.8	1 x TSV 212 6 x TS 212.1	140'-1"*** 42.7	101.0 46	142 633	128 569	66.0 30	141 629	124 553	
6 x TS 212.1	111'-3"*** 33.9	1 x TSV 212 5 x TS 212.1	120'-9"*** 36.8	101.0 46	136 607	112 499	66.0 30	135 600	108 482	
5 x TS 212.1	91'-10"*** 28.0	1 x TSV 212 4 x TS 212.1	101'-5"*** 30.9	101.0 46	131 582	98 435	66.0 30	129 573	94 418	
4 x TS 212.1	72'-6"*** 22.1	1 x TSV 212 3 x TS 212.1	82'-0"*** 25.0	101.0 46	126 559	85 376	66.0 30	123 548	81 359	
3 x TS 212.1	53'-2"*** 16.2	1 x TSV 212 2 x TS 212.1	62'-8"*** 19.1	101.0 46	120 536	80 356	66.0 30	118 523	75 335	
2 x TS 212.1	33'-9"*** 10.3	1 x TSV 212 1 x TS 212.1	43'-4"*** 13.2	101.0 46	116 515	80 356	66.0 30	112 500	75 335	
Foundation 25'-7" x 25'-7" x 5'-7" 7.8 x 7.8 x 1.7 m					Stationary base U 821			Travelling base UF 821		
Anchor stools 4 x FF 212					BF 4 x 8.82 kips 4 x 4.0 t		BZ block 11.02 kips Block 5.0 t		Bogie Curve F 500	

If TSK 212 section is used the hook height is increased by 6'-7" (2 m).

* Lower climbing section after erection.

TS 212.1 = 19'-4 1/4" / 5.9 m

TSV 212 = 25'-11" / 7.9 m

TSK 212 = 6'-7" / 2.0 m

For more information, product demonstration, or details on lease and rental plans, please contact your local Terex Towers Distributor.

We reserve the right to amend these specifications at any time without notice. The only warranty applicable is our standard written warranty applicable to the particular product and sale. We make no other warranty, expressed or implied.



202 Raleigh Street
Wilmington, NC 28412 USA
(910) 395-8500 • FAX: (910) 395-8547
E-mail: wilmington@terexlifting.com

