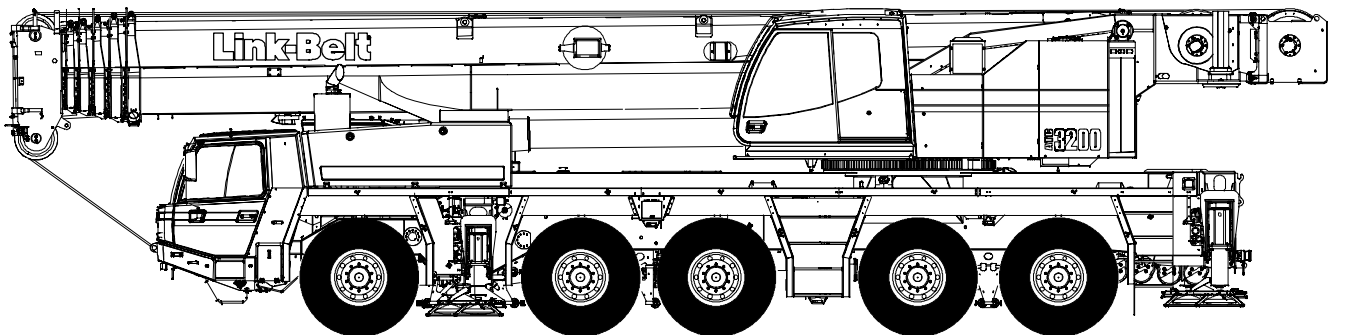


# Technical Data

## Specifications & Capacities

# ATC 3200

Telescopic Boom All Terrain Crane  
200 ton (181.44 metric ton)



**CAUTION:** This material is supplied for reference use only. Operator must refer to in-cab Crane Rating Manual and Operator's Manual to determine allowable crane lifting capacities and assembly and operating procedures.



# Table Of Contents

|  |           |
|--|-----------|
| <b>Boom, Attachments, and Upper Structure</b> .....                                  | <b>1</b>  |
| Boom .....   | 1         |
| Boom Head .....  | 1         |
| Boom Elevation .....   | 1         |
| Auxiliary Lifting Sheave – Optional .....  | 1         |
| Hook Blocks and Balls – Optional .....   | 1         |
| Fly – Optional .....   | 1         |
| Fly Inserts – Optional .....   | 1         |
| Upper Operator’s Cab and Controls .....  | 2         |
| Swing .....  | 3         |
| Central Lubrication System .....   | 3         |
| Electrical .....   | 3         |
| Hydraulic System .....   | 3         |
| Pump Drive .....   | 3         |
| Fuel Tank .....  | 3         |
| Engine .....   | 3         |
| Load Hoist System .....  | 4         |
| Main and Auxiliary (Optional) Winches .....  | 4         |
| Counterweight .....  | 4         |
| <b>Carrier</b> .....   | <b>6</b>  |
| General .....  | 6         |
| Outriggers .....   | 6         |
| Steering and Axles .....   | 6         |
| Suspension .....   | 6         |
| Ground Control Outrigger/Suspension Controls .....                                   | 7         |
| Tires and Wheels .....   | 7         |
| Brakes .....   | 7         |
| Central Lubrication System .....   | 7         |
| Electrical .....   | 7         |
| Engine .....   | 7         |
| Transmission .....   | 7         |
| Fuel Tank .....  | 7         |
| Hydraulic System .....   | 7         |
| Cab and Controls .....   | 8         |
| Additional Equipment .....   | 8         |
| Carrier Speeds and Gradeability .....  | 9         |
| <b>Axle Loads – English</b> .....  | <b>10</b> |
| <b>Axle Loads – Metric</b> .....   | <b>11</b> |
| <b>Axle Loads with 2–Axle or 3–Axle Boom Dolly (3rd Axle Down) – English</b> .....   | <b>12</b> |
| <b>Axle Loads with 2–Axle or 3–Axle Boom Dolly (3rd Axle Down) – Metric</b> .....    | <b>13</b> |
| <b>Axle Loads with 2–Axle or 3–Axle Boom Dolly (3rd Axle Lifted) – English</b> ..... | <b>14</b> |
| <b>Axle Loads with 2–Axle or 3–Axle Boom Dolly (3rd Axle Lifted) – Metric</b> .....  | <b>15</b> |
| <b>General Dimensions</b> .....  | <b>16</b> |
| <b>Working Range Diagram</b> .....   | <b>17</b> |

|  |           |
|--|-----------|
| <b>Boom Extend Modes</b> .....   | <b>18</b> |
| <b>Main Boom Lift Capacity Charts</b> .....                                | <b>19</b> |
| 112,435 lb Counterweight – Fully Extended Outriggers – 360° Rotation ..... | 19        |
| 81,570 lb Counterweight – Fully Extended Outriggers – 360° Rotation .....  | 20        |
| 55,115 lb Counterweight – Fully Extended Outriggers – 360° Rotation .....  | 21        |
| 28,660 lb Counterweight – Fully Extended Outriggers – 360° Rotation .....  | 22        |
| 0 lb Counterweight – Fully Extended Outriggers – 360° Rotation .....       | 23        |
| <b>Fly Attachment Lift Capacity Charts – Optional</b> .....                | <b>24</b> |
| 112,435 lb Counterweight – Fully Extended Outriggers – 360° Rotation ..... | 24        |
| 43.3 ft Main Boom Length .....   | 24        |
| 17.7 ft Offset Fly .....   | 24        |
| 186.0 ft Main Boom Length .....  | 24        |
| 17.7 ft Offset Fly .....   | 24        |
| 196.9 ft Main Boom Length .....  | 24        |
| 17.7 ft Offset Fly .....   | 24        |
| 112,435 lb Counterweight – Fully Extended Outriggers – 360° Rotation ..... | 25        |
| 196.9 ft Main Boom Length .....  | 25        |
| 43.3 ft Offset Fly .....   | 25        |
| 63.0 ft Offset Fly .....   | 25        |
| 82.7 ft Offset Fly .....   | 25        |
| 102.4 ft Offset Fly .....  | 25        |
| 122.0 ft Offset Fly .....  | 25        |
| 112,435 lb Counterweight – Fully Extended Outriggers – 360° Rotation ..... | 26        |
| 186.0 ft Main Boom Length .....  | 26        |
| 43.3 ft Offset Fly .....   | 26        |
| 63.0 ft Offset Fly .....   | 26        |
| 82.7 ft Offset Fly .....   | 26        |
| 102.4 ft Offset Fly .....  | 26        |
| 122.0 ft Offset Fly .....  | 26        |
| 81,570 lb Counterweight – Fully Extended Outriggers – 360° Rotation .....  | 27        |
| 43.3 ft Main Boom Length .....   | 27        |
| 17.7 ft Offset Fly .....   | 27        |
| 186.0 ft Main Boom Length .....  | 27        |
| 17.7 ft Offset Fly .....   | 27        |
| 196.9 ft Main Boom Length .....  | 27        |
| 17.7 ft Offset Fly .....   | 27        |
| 81,570 lb Counterweight – Fully Extended Outriggers – 360° Rotation .....  | 28        |
| 196.9 ft Main Boom Length .....  | 28        |
| 43.3 ft Offset Fly .....   | 28        |
| 63.0 ft Offset Fly .....   | 28        |
| 82.7 ft Offset Fly .....   | 28        |
| 102.4 ft Offset Fly .....  | 28        |
| 122.0 ft Offset Fly .....  | 28        |

|   |    |
|---|----|
| 81,570 lb Counterweight – Fully Extended Outriggers – 360° Rotation ..... | 29 |
| 186.0 ft Main Boom Length .....   | 29 |
| 43.3 ft Offset Fly .....  | 29 |
| 63.0 ft Offset Fly .....  | 29 |
| 82.7 ft Offset Fly .....  | 29 |
| 102.4 ft Offset Fly .....   | 29 |
| 122.0 ft Offset Fly .....   | 29 |
| 55,115 lb Counterweight – Fully Extended Outriggers – 360° Rotation ..... | 30 |
| 43.3 ft Main Boom Length .....  | 30 |
| 17.7 ft Offset Fly .....  | 30 |
| 186.0 ft Main Boom Length .....   | 30 |
| 17.7 ft Offset Fly .....  | 30 |
| 196.9 ft Main Boom Length .....   | 30 |
| 17.7 ft Offset Fly .....  | 30 |
| 55,115 lb Counterweight – Fully Extended Outriggers – 360° Rotation ..... | 31 |
| 196.9 ft Main Boom Length .....   | 31 |
| 43.3 ft Offset Fly .....  | 31 |
| 63.0 ft Offset Fly .....  | 31 |
| 82.7 ft Offset Fly .....  | 31 |
| 102.4 ft Offset Fly .....   | 31 |
| 122.0 ft Offset Fly .....   | 31 |
| 55,115 lb Counterweight – Fully Extended Outriggers – 360° Rotation ..... | 32 |
| 186.0 ft Main Boom Length .....   | 32 |
| 43.3 ft Offset Fly .....  | 32 |
| 63.0 ft Offset Fly .....  | 32 |
| 82.7 ft Offset Fly .....  | 32 |
| 102.4 ft Offset Fly .....   | 32 |
| 122.0 ft Offset Fly .....   | 32 |
| 28,660 lb Counterweight – Fully Extended Outriggers – 360° Rotation ..... | 33 |
| 43.3 ft Main Boom .....   | 33 |
| 17.7 ft Offset Fly .....  | 33 |
| 186.0 ft Main Boom .....  | 33 |
| 17.7 ft Offset Fly .....  | 33 |
| 43.3 ft Offset Fly .....  | 33 |
| 196.9 ft Main Boom .....  | 33 |
| 17.7 ft Offset Fly .....  | 33 |
| 43.3 ft Offset Fly .....  | 33 |

**This Page Intentionally Blank**

# Boom, Attachments, and Upper Structure

## ■ Boom

**Design** – Six section, formed construction of extra high tensile steel consisting of one base section and five telescoping sections. The two plate design of each section has multiple longitudinal bends for superior strength. Each telescoping section extends independently by means of one double-acting, single stage hydraulic cylinder with an integrated holding valve.

### Boom

- 43.3–196.9 ft (13.2–60.0m) six section boom
- Four pinned positions of 0%, 46%, 93%, and 100% on each boom section provide twenty-nine extend combinations for superior capacities when varying the extension of the telescoping sections, controlled from the operator's cab.
- Integral boom dolly connection
- Mechanical boom angle indicator
- Wind speed indicator
- Maximum tip height for the following boom lengths are:

| Boom Length<br>(Pinned Positions) |      | Tip Height |      |
|-----------------------------------|------|------------|------|
| ft                                | m    | ft         | m    |
| 196.9                             | 60.0 | 208.3      | 63.5 |
| 186.0                             | 56.7 | 197.5      | 60.2 |
| 171.9                             | 52.4 | 183.5      | 55.9 |
| 157.5                             | 48.0 | 169.2      | 51.6 |
| 143.3                             | 43.7 | 155.0      | 47.3 |
| 128.9                             | 39.3 | 140.8      | 42.9 |
| 114.8                             | 35.0 | 126.7      | 38.6 |
| 100.4                             | 30.6 | 112.4      | 34.2 |
| 86.3                              | 26.3 | 98.3       | 30.0 |
| 71.9                              | 21.9 | 84.0       | 25.6 |
| 57.7                              | 17.6 | 69.9       | 21.3 |
| 43.3                              | 13.2 | 55.6       | 16.9 |

## Boom Head

- Seven 18.2 in (46.2cm) root diameter nylon sheaves to handle up to fourteen parts of line
- Easily removable wire rope guards
- Rope dead end lugs on one side of the boom head
- Boom head is designed for quick-reeve of the hook block

## Boom Elevation

- One double acting hydraulic cylinder with integral holding valve
- Boom elevation:  $-1.5^{\circ}$  to  $84^{\circ}$
- **Load Comp** – Load compensator maintains a consistent radius during load lift-off by automatically elevating boom hoist cylinder. Operated by a switch from the operator's cab.

## Auxiliary Lifting Sheave – Optional

- Single 18.2 in (46.2cm) root diameter nylon sheave
- Easily removable wire rope guards
- Does not affect erection of the fly or use of the main head sheaves

## Hook Blocks and Balls – Optional

- 27.6 ton (25.0mt) 1 sheave quick-reeve hook block with safety latch
- 88.2 ton (80.0mt) 5 sheave quick-reeve hook block with safety latch
- 200 ton (181.4mt) 11 sheave quick-reeve hook block with safety latch
- 11 ton (10.0mt) swivel hook ball with safety latch

## Fly – Optional

- 17.7 ft–43.3 ft (5.4–13.2m) two piece lattice fly, stowable, offsettable to  $0^{\circ}$ ,  $20^{\circ}$ , and  $40^{\circ}$ . Maximum tip height is 251.4 ft (76.6m).

## Fly Inserts – Optional

- Four 19.7 ft (6.0m) lattice inserts to be mounted between the 17.7 ft (5.4m) lattice fly base and the 25.6 ft (7.8m) lattice fly tip option. Maximum tip heights for the following fly lengths are:

| Fly Length |      | Tip Height |       |
|------------|------|------------|-------|
| ft         | m    | ft         | m     |
| 63.0       | 19.2 | 271.0      | 82.6  |
| 82.7       | 25.2 | 290.5      | 88.5  |
| 102.4      | 31.2 | 310.1      | 94.5  |
| 122.1      | 37.2 | 329.7      | 100.5 |

## ■ Upper Operator's Cab and Controls

**Environmental Cab** – Fully enclosed, one person cab of galvanneal steel structure with acoustical insulation.

Equipped with:

- Tilting interior where the operator's seat, joystick controllers, floor controls and pedals, and main console tilt within the cab
- Tinted and tempered glass windows
- Extra–large power up/power down front window with windshield wiper and washer
- Fixed roof window with windshield wiper
- Sliding left side door with large fixed window
- Fold out rear window for ventilation
- Fixed right side window
- Six way adjustable, cushioned seat with headrests, adjustable lumbar support, and seat belt
- Engine dependent warm–water heater with air ducts for front windshield defroster and cab floor
- AM/FM stereo with single disc CD player
- 12 volt and 24 volt power connections
- Engine hourmeter
- Rated capacity limiter override
- Adjustable sun visor
- Dome light
- Cup holder
- Fire extinguisher
- Left side viewing mirror
- Integral recessed cabwalks
- One position travel swing lock

**Air Conditioning** – Integral with cab heating system utilizing the same ventilation outlets

**Armrest Controls** – Two dual axis electronic joystick controllers for:

- Swing
- Boom hoist
- Boom telescope
- Main front winch
- Auxiliary rear winch – optional
- Drum rotation indicator(s)
- Winch high/low speed and disable switch(es)
- Free swing/automatic swing brake switch
- Auxiliary winch/telescope switch
- High speed function button
- Warning horn

**Foot Controls**

- Swing brake
- Engine throttle

**Front Main Console** – Controls and indicators for:

- Emergency shut down switch
- Central warning indication
- Outrigger controls

**Right Side Console** – Controls and indicators for:

- Auxiliary winch disable switch
- Swing override switch
- Drum rotation indicator activation switch
- Telescopic override switches
- Engine shutdown switch
- Anti–two block override switch

**Right Side Overhead Console** – Controls and indicators for:

- Central lubrication system switch
- Boom and cab floodlight switches
- Top windshield wiper switch
- Front windshield wiper and washer switch
- Power up/power down front windshield switch
- Tilting interior switch
- Battery main shutoff switch
- Supplementary heater controls

**Cockpit Graphic Control (CGC)** – Ergonomically positioned on the front main console, digital instrumentation, and control for crane operations including:

- Engine coolant temperature
- Electronic bubble level and levelness readout
- CAN–BUS diagnostic and engine electronic fault indicator
- Swing lock indicator
- Hydraulic oil and air cleaner filter indicator
- Hydraulic oil temperature
- Low engine oil pressure indicator
- Low voltage indicator
- Fuel level
- Carrier engine start and stop
- Carrier park brake indicator
- Suspension lock indicator
- Axle lift indicator
- Outrigger operation
- Outrigger force readout – optional

**Rated Capacity Limiter** – Graphic audio–visual warning system integrated into the front main console with anti–two block and function limiter. Operating data available includes:

- Crane configuration
- Boom length and angle
- Boom head height
- Allowed load and % of allowed load
- Boom angle
- Radius of load
- Actual load
- Wind speed
- Operator settable alarms (include):
  - Maximum and minimum boom angles
  - Maximum and minimum tip height
  - Maximum boom length
  - Left/right swing positions
  - Work radius



## ■ Swing

**Motor/Planetary** – Bi-directional hydraulic swing motor mounted to a planetary reduction unit for 360° continuous smooth swing at 1.8 rpm. Free swing capable when controller within the operator's cab is in the neutral position.

**Swing Park Brake** – 360°, electric over hydraulic, (spring applied/hydraulic released) multi-disc brake mounted on the reduction unit. Operated by a switch from the operator's cab.

**Swing Brake** – 360°, foot operated, hydraulic applied disc brake mounted to the reduction unit.

**Swing Lock** – One-position swing lock (boom over rear) operated from the operator's cab.

**Automatic Swing Brake Mode** – Swing brake applies when controller within the operator's cab is in the neutral position. Operated by a switch from the operator's cab.

**360° Positive Swing Lock – Optional** – Meets New York City requirement.

## ■ Central Lubrication System

Automated lubrication unit that injects grease into the turntable bearing, boom hoist cylinder pins, boom foot pin, and the main (front) and auxiliary (rear) winch. Operated by a switch from the operator's cab.

## ■ Electrical

Two batteries provide 24-volt operation and starting. CAN bus wiring and components, and integral self-test CSS (Control & Service System).

**Swing Alarm** – Audio warning device signals when the upper is swinging.

### Lights

- Two working lights on front of the cab
- One rotating amber beacon on the right side of the main winch
- One boom floodlight on the boom base section
- Two side marker lights on the boom head

## ■ Hydraulic System

### Main Pumps

- Two variable displacement piston pumps for the main and auxiliary winches, boom hoist and telescope
- One fixed displacement piston pump for the counterweight removal, and swing
- One fixed displacement gear pump for pilot pressure
- One fixed displacement gear pump for telescope pinning
- The upper engine powers the pumps. Combined pump capacity of 170.7 gpm (645Lpm).
- Remote mounted, auxiliary hydraulic oil cooler

**Pump Control “fine inching” Mode** – Special fine metering pump settings, selectable from the operator's cab, allows very slow movements to the main and auxiliary winches, boom hoist, and swing for precision work.

**Pump Control “high speed” Mode** – Boosts hydraulic oil flow by combining the two variable displacement piston pumps for the main and auxiliary winches, boom hoist up, and telescope extend. Operated by a button on the right joystick controller from the operator's cab.

**Hydraulic Reservoir** – 268 gal (1 014L) capacity equipped with sight level gauge. Diffusers built in for deaeration.

**Filtration** – One 12 micron, full flow, line filter in the control circuit. All oil is filtered prior to return to sump tank. Accessible for easy filter replacement.

**Counterbalance Valves** – All hoist motors, boom extend cylinders, and boom hoist cylinders are equipped with counterbalance valves to provide load lowering and prevents accidental load drop when hydraulic power is suddenly reduced.

**Boom Hoist Float Valves** – For transporting the boom over the rear of the crane with a boom dolly. Allows hydraulic oil within the boom hoist cylinder to flow between piston side and case side.

**Swing Brake Release Valve** – For transporting the boom over the rear of the crane with a boom dolly. Holds the 360° swing park brake in the release position allowing free rotation of the upperstructure.

## ■ Pump Drive

All functions are hydraulically powered allowing positive, precise control with independent or simultaneous operation of all functions.

## ■ Fuel Tank

One 66.0 gal (250L) capacity tank.

## ■ Engine

| Specification  | Mercedes Benz OM 906 LA |
|--|-------------------------|
| Numbers of cylinders   | 6                       |
| Cycle  | 4                       |
| Bore and Stroke: inch (mm)   | 4.02 x 5.12 (102x130)   |
| Piston Displacement: in <sup>3</sup> (cm <sup>3</sup> )  | 388.72 (6 374)          |
| Max. Brake Horsepower: hp (kW)   | 185 (138) @ 1,800 rpm   |
| Peak Torque: ft lb (Nm)  | 553 (750) @ 1,200 rpm   |
| Alternator: volts – amps   | 24 – 30                 |
| Crankcase Capacity: qt (L)   | 30.64 (29)              |
| <ul style="list-style-type: none"> <li>• Webasto Engine/Cab Heater – Diesel fired heating unit that can be used for preheating of the engine, or for engine preheating combined with heating of the operator's cab.</li> </ul> |                         |

| Main (Front) and Auxiliary (Rear) Winches – 0.83 in (21mm) Rope |                   |       |                   |       |                 |       |       |      |       |       |
|---|-------------------|-------|-------------------|-------|-----------------|-------|-------|------|-------|-------|
| Layer   | Maximum Line Pull |       | Normal Line Speed |       | High Line Speed |       | Layer |      | Total |       |
|   | lb                | kg    | ft/min            | m/min | ft/min          | m/min | ft    | m    | ft    | m     |
| 1   | 21,010            | 9 530 | 237               | 72.3  | 360             | 109.6 | 169   | 51.5 | 169   | 51.5  |
| 2   | 19,517            | 8 853 | 256               | 77.9  | 388             | 118.3 | 182   | 55.4 | 351   | 106.9 |
| 3   | 18,203            | 8 257 | 274               | 83.4  | 416             | 126.8 | 195   | 59.4 | 546   | 166.3 |
| 4   | 17,066            | 7 741 | 292               | 89.0  | 444             | 135.2 | 208   | 63.3 | 753   | 229.6 |
| 5   | 16,078            | 7 293 | 310               | 94.5  | 471             | 143.7 | 221   | 67.3 | 974   | 296.9 |
| 6   | 15,168            | 6 880 | 328               | 100.1 | 499             | 152.2 | 234   | 71.3 | 1,208 | 368.2 |
| 7   | 14,385            | 6 525 | 347               | 105.7 | 527             | 160.6 | 247   | 75.2 | 1,455 | 443.4 |

| Wire Rope Application  | Diameter |    | Type   | Maximum Permissible Load |       |
|------------------------|----------|----|--|--------------------------|-------|
|                        | in       | mm |  | lb                       | kg    |
| Main (Front) Winch     | 0.83     | 21 | 15x7 (35x7 class) rotation resistant –right lang lay | 16,673                   | 7 563 |
| Auxiliary (Rear) Winch | 0.83     | 21 | 15x7 (35x7 class) rotation resistant –right lang lay | 16,673                   | 7 563 |

## ■ Load Hoist System

### Main and Auxiliary (Optional) Winches

- Axial piston, constant displacement motors driven through planetary reduction unit for positive control under all load conditions
- Grooved lagging
- Power up/down mode of operation
- Third wrap indicator with function lockout
- Drum rotation indicator
- Wire rope with “Superstop” easy reeving system
- Drum diameter: 20.67 in (525mm)
- Rope diameter: 0.83 in (21mm)
- Rope length:
  - Main: 1,017 ft (310m)
  - Auxiliary: 820 ft (250m)

**Integrated Third Wrap Indicator** – Rated capacity limiter color display visually and audibly warns the operator when the wire rope is on the first/bottom layer and when the wire rope is down to the last three wraps.

Auxiliary winch can be removed by cranes’ counterweight removal system.

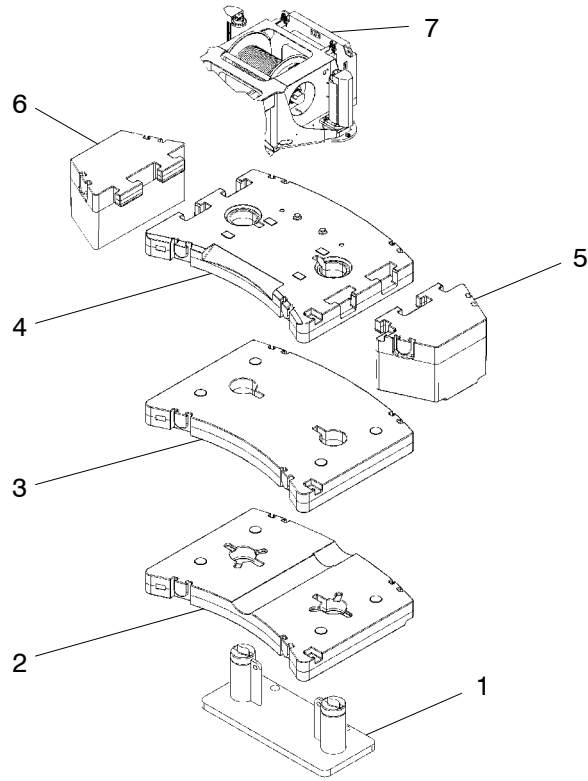
## ■ Counterweight

**Standard** – Total of 112,435 lb (51 000kg) of total counterweight consisting of auxiliary winch or 2,205 lb (1 000kg) counterweight and six hydraulically removable counterweights. Assembled and disassembled by hydraulic cylinders controlled from the operator’s cab with capacities for:

- 0 lb (0kg) counterweight
- 28,660 lb (13 000kg) counterweight
- 55,115 lb (25 000kg) counterweight
- 81,570 lb (37 000kg) counterweight
- 112,435 lb (51 000kg) counterweight

Low speed jobsite travel is offered for these counterweight configurations and a boom dolly or boom trailer may be required for on–highway travel.

\* Overall width of the crane increases to 15 ft 1 in (4.6m) for this counterweight configuration.



| Counterweight Modules              |          |                          | 1                             | 2                                | 3                                | 4                                | 5                               | 6                               | 7*                            |
|------------------------------------|----------|--------------------------|-------------------------------|----------------------------------|----------------------------------|----------------------------------|---------------------------------|---------------------------------|-------------------------------|
|                                    |          |                          | 3,968 lb<br>(1,800kg)<br>tray | 22,487 lb<br>(10,200kg)<br>piece | 26,455 lb<br>(12,000kg)<br>piece | 26,455 lb<br>(12,000kg)<br>piece | 15,432 lb<br>(7,000kg)<br>piece | 15,432 lb<br>(7,000kg)<br>piece | 2,204 lb<br>(1,000kg)<br>top* |
| Counterweight Usage Configurations | Standard | 0 lb<br>(0kg)            |                               |                                  |                                  |                                  |                                 |                                 |                               |
|                                    |          | 28,660 lb<br>(13,000kg)  | X                             | X                                |                                  |                                  |                                 |                                 | X                             |
|                                    |          | 55,115 lb<br>(25,000kg)  | X                             | X                                | X                                |                                  |                                 |                                 | X                             |
|                                    |          | 81,570 lb<br>(37,000kg)  | X                             | X                                | X                                | X                                |                                 |                                 | X                             |
|                                    |          | 112,435 lb<br>(51,000kg) | X                             | X                                | X                                | X                                | X                               | X                               | X                             |

\* Auxiliary winch replaces this counterweight for a two-drum configuration.

# Carrier

## ■ General

- 9 ft 10 in (3.0m) wide with 20.5R25 tires
- 27 ft 10 in (8.5m) wheelbase (centerline of first axle to centerline of fifth axle)
- **Frame** – Box–type, torsion resistant, welded construction made of high tensile steel. Equipped with front and rear towing and tie–down lugs, tow connections, and access ladders.

## ■ Outriggers

**Boxes** – Two double box, front and rear welded to the carrier frame

**Beams and Jacks** – Four dual stage beams with Confined Area Lifting Capacities (CALC) provide selectable outrigger extensions of full and intermediate positions. Jacks with integral check valves, hydraulically controlled from the operator's cab and on both sides of carrier. Automatic leveling.

**Pontoons** – Four lightweight, stow'n go, 23.6" (60.0cm) square nylon pontoons with a contact area of 558 in<sup>2</sup> (3 600.0cm<sup>2</sup>) can be stored for road travel under the outrigger boxes.

**Main Jack Reaction** – 213,568 lb (950.0kN) force and 383 psi (2 640.7kPa) ground bearing pressure

## ■ Steering and Axles

- ZF–Servocom dual circuit system provides hydraulic assisted steering with a mechanical link between the steering wheel and two front axles. The two rear axles steer hydraulically and operation is based on primary and auxiliary steering modes.

**Primary Steering Mode** – Axles 4 and 5 will automatically steer in combination with axles 1 and 2 based on travel speed:

| Primary |                             |                           |                                |
|---------|-----------------------------|---------------------------|--------------------------------|
| Speed   | Less than 15.5 mph (25km/h) | 15.5–31.0 mph (25–50km/h) | Greater than 31.0 mph (50km/h) |
| Axle 1  | Steered                     | Steered                   | Steered                        |
| Axle 2  | Steered                     | Steered                   | Steered                        |
| Axle 3  | Fixed (Lifted or Down)      | Fixed (Lifted or Down)    | Fixed (Lifted or Down)         |
| Axle 4  | Steered                     | Locked                    | Locked                         |
| Axle 5  | Steered                     | Steered                   | Locked                         |

**Auxiliary Steering Modes** – Five independent modes consisting of:

- **Independent Front:** Axles 1 and 2 (Axle 3 is lifted)
- **Combination:** Axles 1, 2, 4, and 5 (Axle 3 is lifted)
- **Crab:** Axles 1, 2, 4, and 5 (Axle 3 is lifted)
- **Independent Rear:** Axles 4 and 5 (Axle 3 is lifted)
- **Drive Away From Walls:** Temporary crab mode (Axle 3 is lifted)

The front, combination, and crab steering modes are controlled from the steering wheel and are selected by controls in the driver's cab. Momentary switches located in the driver's cab control the rear steering mode. Limited to 3rd gear travel.

- **Emergency Steering** – A pump is flange–mounted to the transfer box that provides hydraulic pressure to the steering circuit as long as the crane is in motion above 1.85 mph (3km/h).
- **Drive** – Two modes: 10 x 6 for highway travel: 1st, 4th, and 5th axles are driven. 10 x 8 for job–site travel: 1st, 2nd, 4th, and 5th axle are driven.
- **Axle 1** – Steered, driven for job–site travel
- **Axle 2** – Steered, driven
- **Axle 3** – Non steered, non driven, lift system
- **Axle 4** – Steered, driven
- **Axle 5** – Steered, driven
- **Inter–Axle Differential Lock** – Traction adding device that locks axles 1 and 2 with axles 4 and 5. Operated by a switch from the carrier cab.
- **Transverse (Cross–Axle) Differential Locks** – Traction adding device that locks differentials within axles 1, 2, 4, and 5. Operated by a switch from the carrier cab with a 10 second timer.

## ■ Suspension

Hydro–pneumatic, lockable with level adjustment and automatic ride height leveling. All axles have longitudinal and transverse trailing arms with leveling adjustment and locked cylinders. The carrier can be tilted laterally and longitudinally by controls in the carrier cab that adjust each individual suspension cylinder.

- Cylinder stroke: –4.6 in (118mm) / +6.2 in (158mm)

**Third Axle Lift System** – Axle 3 lifts independently for highway travel and job–site travel applications. Operated by a switch from the carrier cab.

**Third Axle Boost** – Axle 3 is presettable to a specific load–ing when the boom is over the front. Boost range is between 17,700 lb (8 028.6kg) and 30,800 lb (13 970.6kg).

## ■ Ground Control Outrigger/Suspension Controls

Environmentally sealed and ergonomically positioned, control stations located on the left and right side of the carrier with controls and indicators for crane operations including:

- Starts and stops carrier engine
- Throttles carrier engine up and down
- Suspension operation including:
  - Raise and lower suspension on outriggers
  - Automatic ride height leveling on tires
- Outrigger operation including:
  - Extends and retracts two beams together
  - Extends and retracts all jacks together
  - Automatic leveling on outriggers
- Outrigger lighting
- Monitor's contrast and brightness
- Electronic bubble level
- Levelness or inclination
- One position swing lock engagement indicator
- Outrigger force readout – optional

## ■ Tires and Wheels

**Standard** – Ten (single) 20.5R25 tires on steel disc wheels.

**Optional** – Ten (single) 16.00R25 tires on steel disc wheels.

- Tire inflation kit
- Spare tires and wheels – optional

## ■ Brakes

**Service** – Full air brakes on all wheel ends. Dual circuit compressed air system with air dryer.

**Parking/Emergency** – Spring loaded type, acting on 2nd, 4th, and 5th axles

**Intarder** – Hydrodynamic driveline brake that is integral to the transmission. Operated by a switch from the carrier cab.

## ■ Central Lubrication System

Automated lubrication unit that injects grease into the steering gear arms, steering knuckles, and suspension cylinders. Operated by a switch from the carrier's cab.

## ■ Electrical

Two batteries provide 24–volt operation and starting. CAN bus wiring and components, and integral self–test CSS (Control & Service System).

### Lights

- Front lighting includes two main headlights, two high beam lights, two fog lights, two directional indicators, and two parking lights
- Rear lighting includes two rear combination panels each with directional indicator, parking light, brake light, fog light, reversing light, and license plate light
- Other equipment includes hazard/warning system, cab light, instrument panel light, signal horn, and two amber rotating beacons on cab roof
- Four lights to illuminate the outriggers

## ■ Engine

| Specification   | Mercedes Benz OM 502 LA            |
|---|------------------------------------|
| Numbers of cylinders  | 8                                  |
| Cycle   | 4                                  |
| Bore and Stroke: inch ( <i>mm</i> )   | 5.12 x 5.91 ( <i>130x150</i> )     |
| Piston Displacement: in <sup>3</sup> ( <i>cm<sup>3</sup></i> )  | 972.04 ( <i>15 929</i> )           |
| Max. Brake Horsepower: hp ( <i>kW</i> )   | 523 ( <i>390</i> ) @ 1,800 rpm     |
| Peak Torque: ft lb ( <i>Nm</i> )  | 1,770 ( <i>2 400</i> ) @ 1,300 rpm |
| Alternator: volts – amps  | 24 – 100                           |
| Crankcase Capacity: qt ( <i>L</i> )   | 42.27 ( <i>40</i> )                |
| <ul style="list-style-type: none"> <li>• Cruise control</li> <li>• Engine exhaust brake</li> <li>• Engine compression brake</li> <li>• Two thermostatically controlled, hydraulically driven radiator fans</li> </ul> |                                    |

## ■ Transmission

**Automated** – ZF AS–TRONIC (no clutch pedal) automated manual transmission with 16 forward gears and 2 reverse gears

**Auxiliary** – Transfer case with high/low range

## ■ Fuel Tank

One 140 gal (*530L*) capacity tank

## ■ Hydraulic System

### Main Pumps

- One variable displacement piston pump for the front steering circuit 1, cooling fans, suspension, and outriggers
- One fixed displacement piston pump for front steering circuit 2
- Two fixed displacement gear pumps for rear steering
- One fixed displacement piston pump for emergency steering
- The carrier engine powers the pumps. Combined pump capacity of 73.7 gpm (*279Lpm*).

**Hydraulic Reservoir** – 76.6 gal (*290L*) capacity equipped with sight level gauge. Diffusers built in for deaeration.

**Filtration** – Two 12 micron, full flow, line filter in the control circuit. All oil is filtered prior to return to sump tank. Accessible for easy filter replacement.

## ■ Cab and Controls

**Cab** – Fully enclosed, two person full width cab of composite structure with acoustical insulation. Equipped with:

- Tinted and tempered glass windows
- Windshield wiper and washer
- Slide side windows of hardened glass
- Six way adjustable and air suspended driver and passenger seats with integrated three point safety belts and headrests
- Two heated and electrically adjustable rear–view mirrors
- One heated wide angle mirror and additional turn mirror
- Engine dependent warm–water heater with defroster nozzles for windshield and cab floor
- AM/FM radio with single disc CD player
- Adjustable sun visor
- Dome light
- 12 volt and 24 volt connection
- Air conditioning
- Fire extinguisher

**Cab Instrumentation** – Ergonomically positioned analog instrumentation for driving including:

- Speedometer with odometer
- Transmission mode, gear indication, and travel direction
- Engine coolant temperature
- Fuel level
- Tachometer with hourmeter

**Dash Mounted** – Controls and indicators for:

- Battery main shutoff
- Carrier throttle (0 to 1,200 rpm)
- Carrier lighting
- Auxiliary transmission high/low range
- 10x8 drive, inter–axle lock, and transverse differential lock
- Suspension operation, automatic leveling, and lock
- Cruise and intarder activation
- Mirror heating
- Warning lamps
- Engine/gearbox malfunction with audible alarm
- Service and park brake indication
- Steering system malfunction with audible alarm

**Cockpit Multi–Vision (CMV) Display** – Ergonomically positioned on the driver's dash panel, digital instrumentation and indicators for crane operations including:

- Front and rear air pressure
- Air cleaner and hydraulic oil filter replacement
- Low engine oil and coolant
- Steering system malfunction
- Emergency steering activation
- CAN–BUS diagnostics
- Sensor fault
- Low voltage
- Tachometer fault
- Low fuel
- Suspension lifted and locked
- Auxiliary transmission high/low range
- Suspension leveled
- High beam headlights

- Third axle lifted
- Rear fog light activation
- 10x8 drive, inter–axle lock, and transverse differential lock
- One position swing lock engagement
- Intarder activation
- Axle oscillation activation
- Central lubrication activation
- Boom raised out of the boom rest
- Display contrast and brightness readout
- Crane service diagnostics readouts
- Electronic bubble level
- Axle loadings readouts
- Steering modes

**Center Console** – Controls and indicators for:

- Heating and air conditioning controls
- Transmission gear shifting
- Auxiliary steering controls
- Rear axle locking switch
- Mirror adjustments
- Park brake

**Steering Column** – Controls for:

- Carrier ignition
- Warning horn
- Turn indicators
- High beam headlights
- Steer wheel adjustments
- Cruise and intarder controls
- Windshield wipers and washers

**Foot Controls** – Controls for:

- Carrier service brakes
- Engine throttle

## ■ Additional Equipment

**Standard:**

- Pneumatic and electrical quick disconnect connectors mounted on the rear bumper for boom dolly brakes and lights
- Emergency function overrides
- Aluminum full deck fenders and ladders
- Hook block and ball bumper tie backs
- Left and right side carrier storage boxes
- Hook ball storage
- Folding ladder (stowed under the carrier cab)
- Handling slings
- Mud flaps
- Tool box with tools
- Grease gun
- First aid kit
- Tire inflation system
- Battery jumper cables

## Carrier Speeds and Gradeability

| ZF Astronic                |       | Speed                 |      |                      |      | Gradeability<br>(@ Peak Torque<br>Except Creep @ Idle) |                      |
|----------------------------|-------|-----------------------|------|----------------------|------|--|----------------------|
|                            |       | High Range<br>(0.800) |      | Low Range<br>(1.836) |      | High Range<br>(0.800)                                  | Low Range<br>(1.836) |
| Gear                       | Ratio | mph                   | km/h | mph                  | km/h | % Grade  |                      |
| 16th                       | 0.83  | 52.8                  | 85.0 | 26.1                 | 42.0 | 1  | 2                    |
| 15th                       | 1.00  | 49.7                  | 80.0 | 21.7                 | 35.0 | 2  | 3                    |
| 14th                       | 1.18  | 42.3                  | 68.0 | 18.6                 | 30.0 | 3  | 3                    |
| 13th                       | 1.43  | 34.8                  | 56.0 | 14.9                 | 24.0 | 3  | 4                    |
| 12th                       | 1.73  | 28.6                  | 46.0 | 12.4                 | 20.0 | 4  | 5                    |
| 11th                       | 2.09  | 23.6                  | 38.0 | 10.6                 | 17.0 | 6  | 7                    |
| 10th                       | 2.56  | 19.3                  | 31.0 | 8.7                  | 14.0 | 7  | 8                    |
| 9th                        | 3.09  | 16.2                  | 26.0 | 6.8                  | 11.0 | 9  | 11                   |
| 8th                        | 3.78  | 13.0                  | 21.0 | 5.6                  | 9.0  | 11   | 13                   |
| 7th                        | 4.57  | 11.2                  | 18.0 | 5.0                  | 8.0  | 14   | 16                   |
| 6th                        | 5.39  | 9.3                   | 15.0 | 4.3                  | 7.0  | 16   | 19                   |
| 5th                        | 6.52  | 7.5                   | 12.0 | 3.1                  | 5.0  | 20   | 24                   |
| 4th                        | 7.89  | 6.2                   | 10.0 | 2.5                  | 4.0  | 25   | 30                   |
| 3rd                        | 9.54  | 5.0                   | 8.0  | 2.5                  | 4.0  | 31   | 37                   |
| 2nd                        | 11.68 | 4.3                   | 7.0  | 1.9                  | 3.0  | 39   | 47                   |
| 1st                        | 14.12 | 3.7                   | 6.0  | 1.9                  | 3.0  | 47   | 61                   |
| Reverse 1 (Low)            | 13.07 | 3.7                   | 6.0  | 1.9                  | 3.0  | 45   | 55                   |
| Reverse 2 (High)           | 10.81 | 4.3                   | 7.0  | 1.9                  | 3.0  | 36   | 43                   |
| 1st @ 800 rpm              | 14.12 | 1.4                   | 2.0  | 0.6                  | 1.0  | N/A  | N/A                  |
| Reverse 1 (Low) @ 800 rpm  | 13.07 | 1.4                   | 2.0  | 0.6                  | 1.0  | N/A  | N/A                  |
| Reverse 2 (High) @ 800 rpm | 10.81 | 1.4                   | 2.0  | 0.6                  | 1.0  | N/A  | N/A                  |

Based on a 132,277.4 lb (60 000kg) gross vehicle weight with 16.00R25 and 20.5R25 tires

## Axle Loads – English

| Base crane with full tank of fuel<br>and no counterweight                           | Gross<br>Vehicle<br>Weight <sup>(1)</sup> | Axle 1 | Axle 2 | Axle 3* | Axle 4 | Axle 5 |
|---|---|--------|--------|---------|--------|--------|
|   | lb  | lb     | lb     | lb      | lb     | lb     |
|   | 127,983                                   | 25,271 | 25,456 | 25,500  | 25,963 | 25,793 |
| Third axle lifted   | ---                                       | 6,670  | 6,670  | -25,500 | 6,080  | 6,080  |
| Driver in carrier cab   | 250                                       | 177    | 177    | 0       | -52    | -52    |
| 16.00R25 tires (instead of standard)  | -1,036                                    | -259   | -259   | 0       | -259   | -259   |
| Auxiliary winch with 820 ft if 0.83 in diameter rope                                | 3,043                                     | -882   | -882   | 0       | 2,403  | 2,403  |
| [7] counterweight 2,205 lb on upper – replaces auxiliary winch                      | 2,205                                     | -580   | -580   | 0       | 1,682  | 1,682  |
| [5&6] counterweight 30,865 lb on upper – requires counterweight [4]                 | 30,265                                    | -6,781 | -6,781 | 0       | 21,913 | 21,913 |
| [4] counterweight 26,455 lb on upper– requires counterweight [1]                    | 26,301                                    | -5,893 | -5,893 | 0       | 19,043 | 19,043 |
| [3] counterweight 26,455 lb on upper – requires counterweight [1]                   | 26,301                                    | -5,893 | -5,893 | 0       | 19,043 | 19,043 |
| [2] counterweight 22,487 lb on upper – requires counterweight [1]                   | 22,179                                    | -4,927 | -4,927 | 0       | 16,016 | 16,016 |
| [1] counterweight 3,968 lb on upper   | 4,123                                     | -922   | -922   | 0       | 2,984  | 2,984  |
| 17.7–43.3 ft offsettable, two piece lattice fly (stowed)                            | 3,351                                     | 1,739  | 1,739  | 0       | -64    | -64    |
| Auxiliary lifting sheave (erected)  | 187                                       | 173    | 173    | 0       | -79    | -79    |
| 88.2 ton 5 sheave quick–reeve hook block with safety latch (stowed at front bumper) | 1,830                                     | 1,600  | 1,600  | 0       | -685   | -685   |
| 88.2 ton 5 sheave quick–reeve hook block with safety latch (stowed at boom head)    | 1,830                                     | 1,683  | 1,683  | 0       | -768   | -768   |
| 27.6 ton 1 sheave quick–reeve hook block with safety latch (stowed at front bumper) | 660                                       | 577    | 577    | 0       | -247   | -247   |
| 27.6 ton 1 sheave quick–reeve hook block with safety latch (stowed at boom head)    | 660                                       | 607    | 607    | 0       | -277   | -277   |
| 11.0 ton swivel hook ball with safety latch (stowed in carrier storage)             | 661                                       | -102   | -102   | 0       | 433    | 433    |
| 11.0 ton swivel hook ball with safety latch (stowed at front bumper)                | 661                                       | 578    | 578    | 0       | -248   | -248   |
| 11.0 ton swivel hook ball with safety latch (stowed at boom head)                   | 661                                       | 624    | 624    | 0       | -293   | -293   |

| Counterweight Load Transfer                          | Axle 1 | Axle 2 | Axle 3* | Axle 4  | Axle 5  |
|--|--------|--------|---------|---------|---------|
|  | lb     | lb     | lb      | lb      | lb      |
| Transfer [6] counterweight 14,110 lb to carrier deck | 15,845 | 15,845 | 0       | -15,845 | -15,845 |
| Transfer [7] counterweight 5,071 lb to carrier deck  | 15,845 | 15,845 | 0       | -15,845 | -15,845 |
| Transfer [8] counterweight 6,834 lb to carrier deck  | 13,277 | 13,277 | 0       | -13,277 | -13,277 |
| Transfer [9] counterweight 2,425 lb to carrier deck  | 2,481  | 2,481  | 0       | -2,481  | -2,481  |

<sup>(1)</sup> Adjust gross vehicle weight and axle loading according to component weight. All weights are  $\pm 3\%$ .

\*Axle 3 is presettable to a specific loading when boom is over the front. Boost range is between 17,700 lb to 30,800 lb.

| Tire     | Maximum Axle Load @ 50 mph Average Speed |
|----------|--|
| 20.5R25  | 26,015 lb                                |
| 16.00R25 | 24,471 lb                                |



## Axle Loads – Metric

| Base crane with full tank of fuel and no counterweight                           | Gross Vehicle Weight <sup>(1)</sup> | Axle 1 | Axle 2 | Axle 3* | Axle 4 | Axle 5 |
|--|-------------------------------------|--------|--------|---------|--------|--------|
|  | kg                                  | kg     | kg     | kg      | kg     | kg     |
|  | 58 052                              | 11 463 | 11 547 | 11 567  | 11 776 | 11 699 |
| Third axle lifted  | ---                                 | 3 025  | 3 025  | -11 567 | 2 758  | 2 758  |
| Driver in carrier cab  | 113                                 | 80     | 80     | 0       | -24    | -24    |
| 16.00R25 tires (instead of standard)   | -470                                | -117   | -117   | 0       | -117   | -117   |
| Auxiliary winch with 250m if 22mm diameter rope                                  | 1 380                               | -400   | -400   | 0       | 1 090  | 1 090  |
| [7] counterweight 1 000kg on upper – replaces auxiliary winch                    | 1 000                               | -263   | -263   | 0       | 763    | 763    |
| [5&6] counterweight 14 000kg on upper – requires counterweight [4]               | 13 728                              | -3 076 | -3 076 | 0       | 9 940  | 9 940  |
| [4] counterweight 12 000kg on upper– requires counterweight [1]                  | 11 930                              | -2 673 | -2 673 | 0       | 8 638  | 8 638  |
| [3] counterweight 12 000kg on upper – requires counterweight [1]                 | 11 930                              | -2 673 | -2 673 | 0       | 8 638  | 8 638  |
| [2] counterweight 10 200kg on upper – requires counterweight [1]                 | 10 060                              | -2 235 | -2 235 | 0       | 7 265  | 7 265  |
| [1] counterweight 1 800kg on upper   | 1 870                               | -418   | -418   | 0       | 1 354  | 1 354  |
| 5.4–13.2m offsettable, two piece lattice fly (stowed)                            | 1 520                               | 789    | 789    | 0       | -29    | -29    |
| Auxiliary lifting sheave (erected)   | 85                                  | 78     | 78     | 0       | -36    | -36    |
| 80 mt 5 sheave quick-reeve hook block with safety latch (stowed at front bumper) | 830                                 | 726    | 726    | 0       | -311   | -311   |
| 80 mt 5 sheave quick-reeve hook block with safety latch (stowed at boom head)    | 830                                 | 763    | 763    | 0       | -348   | -348   |
| 25 mt 1 sheave quick-reeve hook block with safety latch (stowed at front bumper) | 300                                 | 262    | 262    | 0       | -112   | -112   |
| 25 mt 1 sheave quick-reeve hook block with safety latch (stowed at boom head)    | 300                                 | 275    | 275    | 0       | -125   | -125   |
| 10 mt swivel hook ball with safety latch (stowed in carrier storage)             | 300                                 | -46    | -46    | 0       | 196    | 196    |
| 10 mt swivel hook ball with safety latch (stowed at front bumper)                | 300                                 | 262    | 262    | 0       | -112   | -112   |
| 10 mt swivel hook ball with safety latch (stowed at boom head)                   | 300                                 | 283    | 283    | 0       | -133   | -133   |

| Counterweight Load Transfer                        | Axle 1 | Axle 2 | Axle 3* | Axle 4 | Axle 5 |
|--|--------|--------|---------|--------|--------|
|  | kg     | kg     | kg      | kg     | kg     |
| Transfer [6] counterweight 6 400kg to carrier deck | 7 187  | 7 187  | 0       | -7 187 | -7 187 |
| Transfer [7] counterweight 2 300kg to carrier deck | 7 187  | 7 187  | 0       | -7 187 | -7 187 |
| Transfer [8] counterweight 3 100kg to carrier deck | 6 022  | 6 022  | 0       | -6 022 | -6 022 |
| Transfer [9] counterweight 1 100kg to carrier deck | 1 125  | 1 125  | 0       | -1 125 | -1 125 |

(<sup>1</sup>) Adjust gross vehicle weight and axle loading according to component weight. All weights are  $\pm 3\%$ .

\*Axle 3 is presettable to a specific loading when boom is over the front. Boost range is between 8 028.6kg to 13 970.6kg.

| Tire     | Maximum Axle Load @ 80km/h Average Speed |
|----------|--|
| 20.5R25  | 11 800kg                                 |
| 16.00R25 | 11 100kg                                 |

## Axle Loads with 2–Axle or 3–Axle Boom Dolly (3rd Axle Down) – English

| Base crane with full tank of fuel<br>and no counterweight                        | Gross<br>Vehicle<br>Weight <sup>(1)</sup> | Axle 1 | Axle 2 | Axle 3 | Axle 4 | Axle 5 | Dolly  |
|--|---|--------|--------|--------|--------|--------|--------|
|  | lb  | lb     | lb     | lb     | lb     | lb     | lb     |
|  | 127,983                                   | 21,491 | 21,676 | 19,762 | 20,409 | 20,239 | 24,406 |
| Driver in carrier cab  | 250                                       | 188    | 188    | –42    | –42    | –42    | 0      |
| 16.00R25 tires (instead of standard)   | –1,036                                    | –204   | –204   | –209   | –209   | –209   | 0      |
| Auxiliary winch with 820 ft if 0.83 in diameter rope                             | 3,043                                     | 1,315  | 1,315  | 137    | 137    | 137    | 0      |
| [7] counterweight 2,205 lb on upper – replaces auxiliary winch                   | 2,205                                     | 882    | 882    | 147    | 147    | 147    | 0      |
| [5&6] counterweight 30,865 lb on upper – requires counterweight [4]              | 30,265                                    | 10,675 | 10,675 | 2,972  | 2,972  | 2,972  | 0      |
| [4] counterweight 26,455 lb on upper– requires counterweight [1]                 | 26,301                                    | 9,277  | 9,277  | 2,583  | 2,583  | 2,583  | 0      |
| [3] counterweight 26,455 lb on upper – requires counterweight [1]                | 26,301                                    | 9,277  | 9,277  | 2,583  | 2,583  | 2,583  | 0      |
| [2] counterweight 22,487 lb on upper – requires counterweight [1]                | 22,179                                    | 7,771  | 7,771  | 2,212  | 2,212  | 2,212  | 0      |
| [1] counterweight 3,968 lb on upper  | 4,123                                     | 1,453  | 1,453  | 406    | 406    | 406    | 0      |
| 17.7–43.3 ft offsettable, two piece lattice fly (stowed)                         | 3,351                                     | 198    | 198    | 145    | 145    | 145    | 2,519  |
| Auxiliary lifting sheave (erected)   | 187                                       | –15    | –15    | –11    | –11    | –11    | 251    |
| 88.2 ton 5 sheave quick–reeve hook block with safety latch (stowed at boom head) | 1,830                                     | –92    | –92    | –67    | –67    | –67    | 2,216  |
| 88.2 ton 5 sheave quick–reeve hook block with safety latch (stowed on dolly)     | 1,830                                     | 0      | 0      | 0      | 0      | 0      | 1,830  |
| 27.6 ton 1 sheave quick–reeve hook block with safety latch (stowed at boom head) | 660                                       | –33    | –33    | –24    | –24    | –24    | 799    |
| 27.6 ton 1 sheave quick–reeve hook block with safety latch (stowed on dolly)     | 660                                       | 0      | 0      | 0      | 0      | 0      | 660    |
| 11.0 ton swivel hook ball with safety latch (stowed in carrier storage)          | 661                                       | –194   | –194   | 350    | 350    | 350    | 0      |
| 11.0 ton swivel hook ball with safety latch (stowed at boom head)                | 661                                       | –38    | –38    | –27    | –27    | –27    | 819    |
| 11.0 ton swivel hook ball with safety latch (stowed on dolly)                    | 661                                       | 0      | 0      | 0      | 0      | 0      | 661    |
| 2–axle boom dolly  | 5,500                                     | 0      | 0      | 0      | 0      | 0      | 5,500  |
| 3–axle boom dolly  | 8,800                                     | 0      | 0      | 0      | 0      | 0      | 8,800  |

<sup>(1)</sup> Adjust gross vehicle weight and axle loading according to component weight. All weights are  $\pm 3\%$ .

| Tire     | Maximum Axle Load @ 50 mph Average Speed |
|----------|--|
| 20.5R25  | 26,015 lb                                |
| 16.00R25 | 24,471 lb                                |

## Axle Loads with 2–Axle or 3–Axle Boom Dolly (3rd Axle Down) – Metric

| Base crane with full tank of fuel<br>and no counterweight                     | Gross<br>Vehicle<br>Weight <sup>(1)</sup> | Axle 1 | Axle 2 | Axle 3* | Axle 4 | Axle 5 | Dolly  |
|---|---|--------|--------|---------|--------|--------|--------|
|   | kg  | kg     | kg     | kg      | kg     | kg     | kg     |
|   | 58 052                                    | 9 748  | 9 832  | 8 964   | 9 257  | 9 180  | 11 070 |
| Driver in carrier cab   | 113                                       | 85     | 85     | –19     | –19    | –19    | 0      |
| 16.00R25 tires (instead of standard)  | –470                                      | –93    | –93    | –95     | –95    | –95    | 0      |
| Auxiliary winch with 250m if 22mm diameter rope                               | 1 380                                     | 597    | 597    | 62      | 62     | 62     | 0      |
| [7] counterweight 1 000kg on upper – replaces auxiliary winch                 | 1 000                                     | 400    | 400    | 67      | 67     | 67     | 0      |
| [5&6] counterweight 14 000kg on upper – requires counterweight [4]            | 13 728                                    | 4 842  | 4 842  | 1 348   | 1 348  | 1 348  | 0      |
| [4] counterweight 12 000kg on upper– requires counterweight [1]               | 11 930                                    | 4 208  | 4 208  | 1 172   | 1 172  | 1 172  | 0      |
| [3] counterweight 12 000kg on upper – requires counterweight [1]              | 11 930                                    | 4 208  | 4 208  | 1 172   | 1 172  | 1 172  | 0      |
| [2] counterweight 10 200kg on upper – requires counterweight [1]              | 10 060                                    | 3 525  | 3 525  | 1 003   | 1 003  | 1 003  | 0      |
| [1] counterweight 1 800kg on upper  | 1 870                                     | 659    | 659    | 184     | 184    | 184    | 0      |
| 5.4–13.2m offsettable, two piece lattice fly (stowed)                         | 1 520                                     | 90     | 90     | 66      | 66     | 66     | 1 143  |
| Auxiliary lifting sheave (erected)  | 85  | –7     | –7     | –5      | –5     | –5     | 114    |
| 80 mt 5 sheave quick–reeve hook block with safety latch (stowed at boom head) | 830                                       | –42    | –42    | –30     | –30    | –30    | 1 005  |
| 80 mt 5 sheave quick–reeve hook block with safety latch (stowed on dolly)     | 830                                       | 0      | 0      | 0       | 0      | 0      | 830    |
| 25 mt 1 sheave quick–reeve hook block with safety latch (stowed at boom head) | 300                                       | –15    | –15    | –11     | –11    | –11    | 363    |
| 25 mt 1 sheave quick–reeve hook block with safety latch (stowed on dolly)     | 300                                       | 0      | 0      | 0       | 0      | 0      | 300    |
| 10 mt swivel hook ball with safety latch (stowed in carrier storage)          | 300                                       | –88    | –88    | 159     | 159    | 159    | 0      |
| 10 mt swivel hook ball with safety latch (stowed at boom head)                | 300                                       | –17    | –17    | –12     | –12    | –12    | 371    |
| 10 mt swivel hook ball with safety latch (stowed on dolly)                    | 300                                       | 0      | 0      | 0       | 0      | 0      | 300    |
| 2–axle boom dolly   | 2 495                                     | 0      | 0      | 0       | 0      | 0      | 2 495  |
| 3–axle boom dolly   | 3 992                                     | 0      | 0      | 0       | 0      | 0      | 3 992  |

(1) Adjust gross vehicle weight and axle loading according to component weight. All weights are  $\pm 3\%$ .

| Tire     | Maximum Axle Load @ 80km/h Average Speed |
|----------|--|
| 20.5R25  | 11 800kg                                 |
| 16.00R25 | 11 100kg                                 |

## Axle Loads with 2–Axle or 3–Axle Boom Dolly (3rd Axle Lifted) – English

| Base crane with full tank of fuel<br>and no counterweight                        | Gross<br>Vehicle<br>Weight <sup>(1)</sup> | Axle 1 | Axle 2 | Axle 3 | Axle 4 | Axle 5 | Dolly  |
|--|---|--------|--------|--------|--------|--------|--------|
|  | lb  | lb     | lb     | lb     | lb     | lb     | lb     |
|  | 127,983                                   | 26,660 | 26,845 | 0      | 25,121 | 24,951 | 24,406 |
| Driver in carrier cab  | 250                                       | 177    | 177    | 0      | -52    | -52    | 0      |
| 16.00R25 tires (instead of standard)   | -1,036                                    | -259   | -259   | 0      | -259   | -259   | 0      |
| Auxiliary winch with 820 ft if 0.83 in diameter rope                             | 3,043                                     | 1,351  | 1,351  | 0      | 170    | 170    | 0      |
| [7] counterweight 2,205 lb on upper – replaces auxiliary winch                   | 2,205                                     | 920    | 920    | 0      | 182    | 182    | 0      |
| [5&6] counterweight 30,865 lb on upper – requires counterweight [4]              | 30,265                                    | 11,452 | 11,452 | 0      | 3,680  | 3,680  | 0      |
| [4] counterweight 26,455 lb on upper– requires counterweight [1]                 | 26,301                                    | 9,952  | 9,952  | 0      | 3,198  | 3,198  | 0      |
| [3] counterweight 26,455 lb on upper – requires counterweight [1]                | 26,301                                    | 9,952  | 9,952  | 0      | 3,198  | 3,198  | 0      |
| [2] counterweight 22,487 lb on upper – requires counterweight [1]                | 22,179                                    | 8,350  | 8,350  | 0      | 2,739  | 2,739  | 0      |
| [1] counterweight 3,968 lb on upper  | 4,123                                     | 1,559  | 1,559  | 0      | 503    | 503    | 0      |
| 17.7–43.3 ft offsettable, two piece lattice fly (stowed)                         | 3,351                                     | 236    | 236    | 0      | 180    | 180    | 2,519  |
| Auxiliary lifting sheave (erected)   | 187                                       | -18    | -18    | 0      | -14    | -14    | 251    |
| 88.2 ton 5 sheave quick–reeve hook block with safety latch (stowed at boom head) | 1,830                                     | -110   | -110   | 0      | -83    | -83    | 2,216  |
| 88.2 ton 5 sheave quick–reeve hook block with safety latch (stowed on dolly)     | 1,830                                     | 0      | 0      | 0      | 0      | 0      | 1,830  |
| 27.6 ton 1 sheave quick–reeve hook block with safety latch (stowed at boom head) | 660                                       | -39    | -39    | 0      | -30    | -30    | 799    |
| 27.6 ton 1 sheave quick–reeve hook block with safety latch (stowed on dolly)     | 660                                       | 0      | 0      | 0      | 0      | 0      | 660    |
| 11.0 ton swivel hook ball with safety latch (stowed in carrier storage)          | 661                                       | -102   | -102   | 0      | 433    | 433    | 0      |
| 11.0 ton swivel hook ball with safety latch (stowed at boom head)                | 661                                       | -45    | -45    | 0      | -34    | -34    | 819    |
| 11.0 ton swivel hook ball with safety latch (stowed on dolly)                    | 661                                       | 0      | 0      | 0      | 0      | 0      | 661    |
| 2–axle boom dolly  | 5,500                                     | 0      | 0      | 0      | 0      | 0      | 5,500  |
| 3–axle boom dolly  | 8,800                                     | 0      | 0      | 0      | 0      | 0      | 8,800  |

<sup>(1)</sup> Adjust gross vehicle weight and axle loading according to component weight. All weights are  $\pm 3\%$ .

| Tire     | Maximum Axle Load @ 50 mph Average Speed |
|----------|--|
| 20.5R25  | 26,015 lb                                |
| 16.00R25 | 24,471 lb                                |

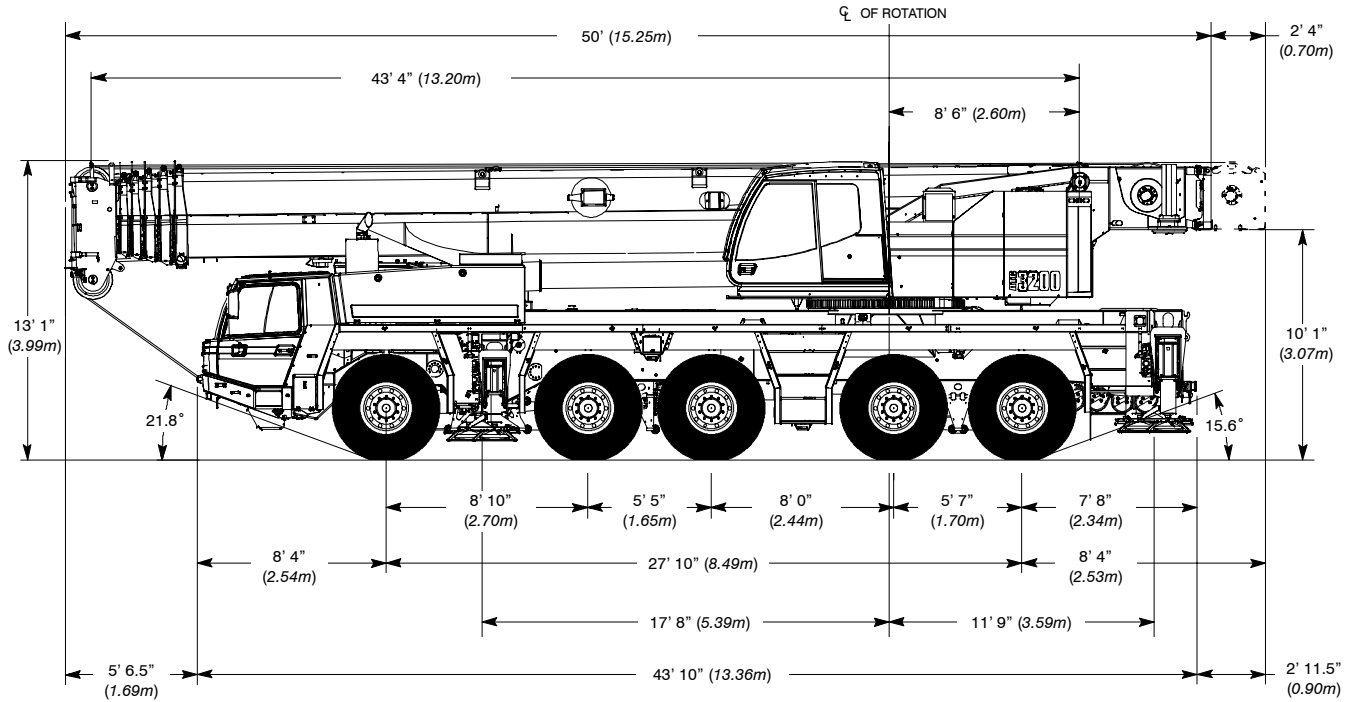
## Axle Loads with 2–Axle or 3–Axle Boom Dolly (3rd Axle Lifted) – Metric

| Base crane with full tank of fuel<br>and no counterweight                     | Gross<br>Vehicle<br>Weight <sup>(1)</sup> | Axle 1 | Axle 2 | Axle 3* | Axle 4 | Axle 5 | Dolly  |
|---|---|--------|--------|---------|--------|--------|--------|
|   | kg  | kg     | kg     | kg      | kg     | kg     | kg     |
|   | 58 053                                    | 12 092 | 12 177 | 0       | 11 395 | 11 318 | 11 071 |
| Driver in carrier cab   | 113                                       | 80     | 80     | 0       | –24    | –24    | 0      |
| 16.00R25 tires (instead of standard)  | –470                                      | –117   | –117   | 0       | –117   | –117   | 0      |
| Auxiliary winch with 250m if 22mm diameter rope                               | 1 380                                     | 613    | 613    | 0       | 77     | 77     | 0      |
| [7] counterweight 1 000kg on upper – replaces auxiliary winch                 | 1 000                                     | 417    | 417    | 0       | 83     | 83     | 0      |
| [5&6] counterweight 14 000kg on upper – requires counterweight [4]            | 13 728                                    | 5 195  | 5 195  | 0       | 1 669  | 1 669  | 0      |
| [4] counterweight 12 000kg on upper– requires counterweight [1]               | 11 930                                    | 4 514  | 4 514  | 0       | 1 451  | 1 451  | 0      |
| [3] counterweight 12 000kg on upper – requires counterweight [1]              | 11 930                                    | 4 514  | 4 514  | 0       | 1 451  | 1 451  | 0      |
| [2] counterweight 10 200kg on upper – requires counterweight [1]              | 10 060                                    | 3 787  | 3 787  | 0       | 1 242  | 1 242  | 0      |
| [1] counterweight 1 800kg on upper  | 1 870                                     | 707    | 707    | 0       | 228    | 228    | 0      |
| 5.4– 13.2m offsettable, two piece lattice fly (stowed)                        | 1 520                                     | 107    | 107    | 0       | 82     | 82     | 1 143  |
| Auxiliary lifting sheave (erected)  | 85  | –8     | –8     | 0       | –6     | –6     | 114    |
| 80 mt 5 sheave quick–reeve hook block with safety latch (stowed at boom head) | 830                                       | –50    | –50    | 0       | –38    | –38    | 1 005  |
| 80 mt 5 sheave quick–reeve hook block with safety latch (stowed on dolly)     | 830                                       | 0      | 0      | 0       | 0      | 0      | 830    |
| 25 mt 1 sheave quick–reeve hook block with safety latch (stowed at boom head) | 299                                       | –18    | –18    | 0       | 14     | 14     | 362    |
| 25 mt 1 sheave quick–reeve hook block with safety latch (stowed on dolly)     | 299                                       | 0      | 0      | 0       | 0      | 0      | 299    |
| 10 mt swivel hook ball with safety latch (stowed in carrier storage)          | 300                                       | –46    | –46    | 0       | 196    | 196    | 0      |
| 10 mt swivel hook ball with safety latch (stowed at boom head)                | 300                                       | –20    | –20    | 0       | –15    | –15    | 371    |
| 10 mt swivel hook ball with safety latch (stowed on dolly)                    | 300                                       | 0      | 0      | 0       | 0      | 0      | 300    |
| 2–axle boom dolly   | 2 495                                     | 0      | 0      | 0       | 0      | 0      | 2 495  |
| 3–axle boom dolly   | 3 992                                     | 0      | 0      | 0       | 0      | 0      | 3 992  |

(1) Adjust gross vehicle weight and axle loading according to component weight. All weights are  $\pm 3\%$ .

| Tire     | Maximum Axle Load @ 80km/h Average Speed |
|----------|--|
| 20.5R25  | 11 800kg                                 |
| 16.00R25 | 11 100kg                                 |

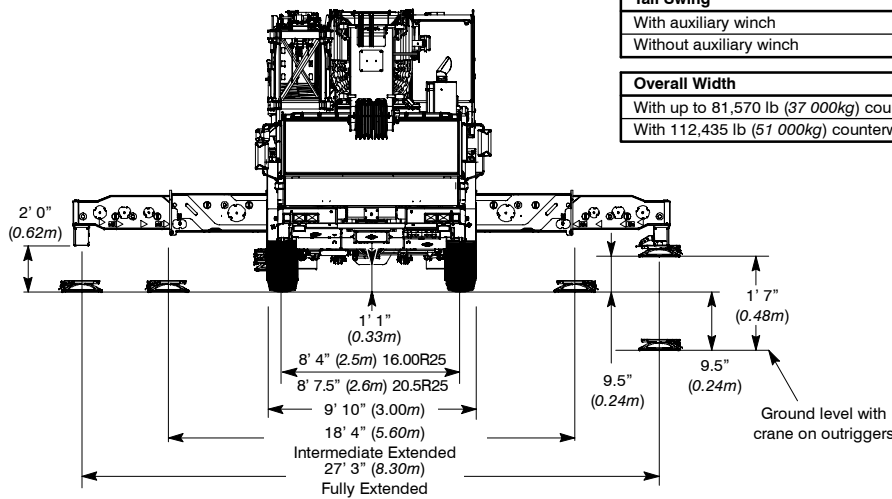
# General Dimensions



| Turning Radius                    | 20.5R25 |        | 16.00R25 |        |
|-----------------------------------|---------|--------|----------|--------|
|                                   | English | Metric | English  | Metric |
| Wall to wall over carrier         | 36' 0"  | 11.0m  | 35' 9"   | 10.9m  |
| Wall to wall over boom            | 38' 4"  | 11.7m  | 38' 1"   | 11.6m  |
| Wall to wall over boom attachment | 40' 7"  | 12.4m  | 40' 4"   | 12.3m  |
| Curb to curb                      | 32' 2"  | 9.80m  | 31' 11"  | 9.72m  |
| Centerline of tire                | 31' 5"  | 9.6m   | 31' 2"   | 9.5m   |

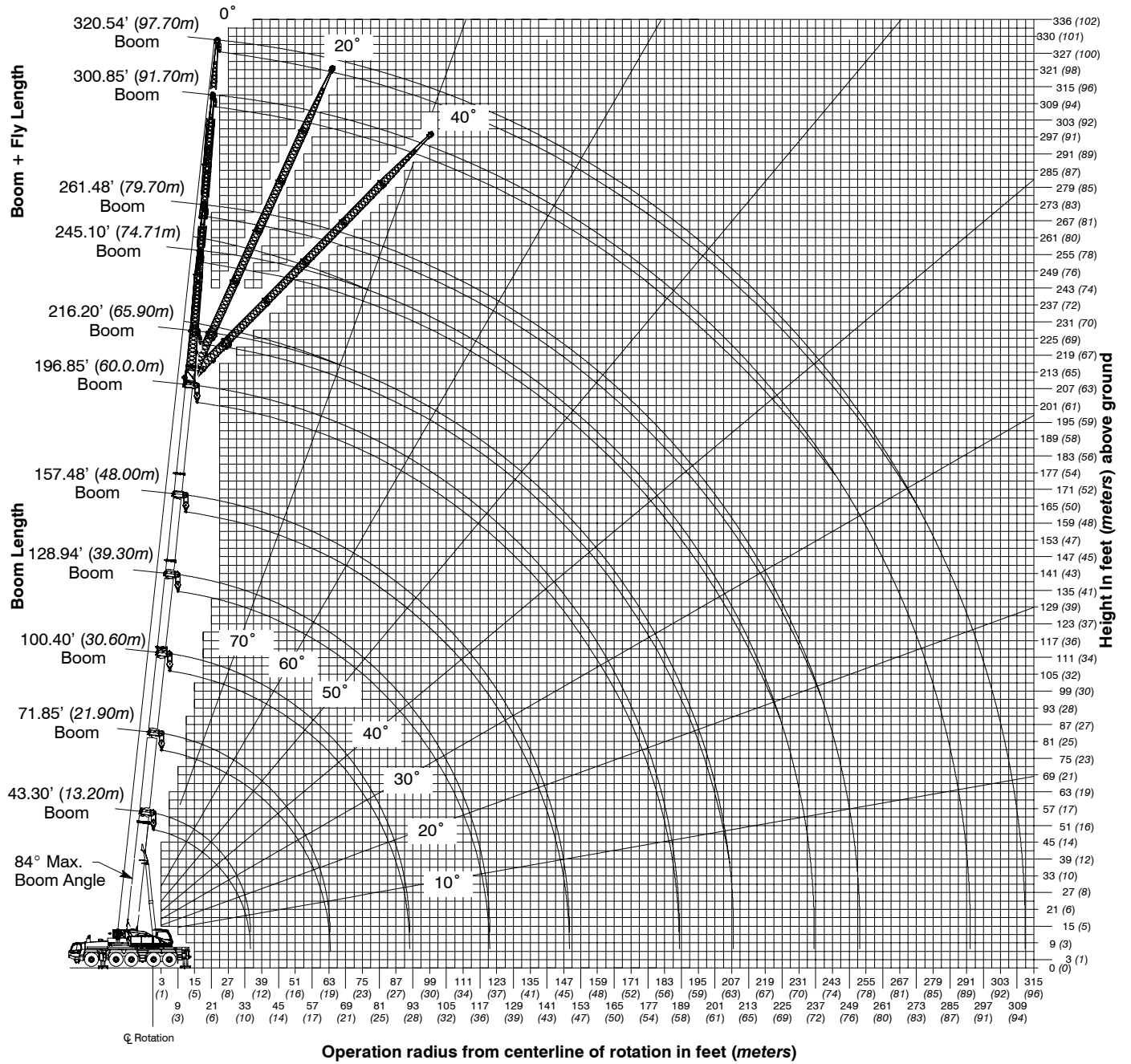
| Tail Swing              | English | Metric |
|-------------------------|---------|--------|
| With auxiliary winch    | 16' 8"  | 5.1m   |
| Without auxiliary winch | 14' 5"  | 4.4m   |

| Overall Width                                 | English | Metric |
|---|---------|--------|
| With up to 81,570 lb (37 000kg) counterweight | 9' 10"  | 3.0m   |
| With 112,435 lb (51 000kg) counterweight      | 15' 1"  | 4.6m   |

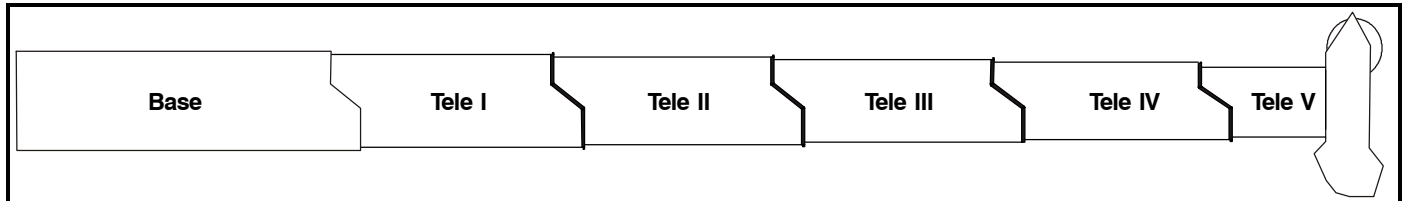


Not To Scale

# Working Range Diagram



# Boom Extend Modes



| Boom Length |      | Sections Length |         |          |         |        |
|-------------|------|-----------------|---------|----------|---------|--------|
| ft          | m    | Tele I          | Tele II | Tele III | Tele IV | Tele V |
| 196.9       | 60.0 | 100%            | 100%    | 100%     | 100%    | 100%   |
| 186.0       | 56.7 | 93%             | 93%     | 93%      | 93%     | 93%    |
| 171.9       | 52.4 | 46%             | 93%     | 93%      | 93%     | 93%    |
|             |      | 93%             | 93%     | 93%      | 93%     | 46%    |
| 157.5       | 48.0 | 0               | 93%     | 93%      | 93%     | 93%    |
|             |      | 93%             | 93%     | 93%      | 46%     | 46%    |
|             |      | 46%             | 93%     | 93%      | 93%     | 46%    |
| 143.4       | 43.7 | 0%              | 46%     | 93%      | 93%     | 93%    |
|             |      | 46%             | 46%     | 46%      | 93%     | 93%    |
|             |      | 93%             | 93%     | 46%      | 46%     | 46%    |
| 128.9       | 39.3 | 0%              | 0%      | 93%      | 93%     | 93%    |
|             |      | 93%             | 46%     | 46%      | 46%     | 46%    |
|             |      | 46%             | 46%     | 46%      | 46%     | 93%    |
| 114.8       | 35.0 | 0%              | 0%      | 46%      | 93%     | 93%    |
|             |      | 46%             | 46%     | 46%      | 46%     | 46%    |
|             |      | 46%             | 46%     | 46%      | 46%     | 0%     |
| 100.4       | 30.6 | 0%              | 0%      | 0%       | 93%     | 93%    |
|             |      | 0%              | 0%      | 46%      | 46%     | 93%    |
|             |      | 93%             | 46%     | 46%      | 0%      | 0%     |
| 86.3        | 26.3 | 0%              | 0%      | 0%       | 46%     | 93%    |
|             |      | 0%              | 0%      | 46%      | 46%     | 46%    |
|             |      | 46%             | 46%     | 46%      | 0%      | 0%     |
| 86.3        | 21.9 | 0%              | 0%      | 0%       | 0%      | 93%    |
|             |      | 0%              | 0%      | 0%       | 46%     | 46%    |
|             |      | 46%             | 46%     | 0%       | 0%      | 0%     |
|             |      | 0%              | 46%     | 46%      | 0%      | 0%     |
| 57.7        | 17.6 | 0%              | 0%      | 0%       | 0%      | 46%    |
|             |      | 0%              | 46%     | 0%       | 0%      | 0%     |
| 43.3        | 13.2 | 0%              | 0%      | 0%       | 0%      | 0%     |



# Main Boom Lift Capacity Charts

**112,435 lb Counterweight – Fully Extended Outriggers – 360° Rotation**  
**(All Capacities Are Listed In Thousand Pounds)**

| Radius (ft) | Boom Length (ft) |        |        |        |       |       |       |       |       |       |       |       |       | Radius (ft) |     |
|-------------|------------------|--------|--------|--------|-------|-------|-------|-------|-------|-------|-------|-------|-------|-------------|-----|
|             | 43.3 (1)         | 43.3   | 57.7   | 71.9   | 86.3  | 100.4 | 114.8 | 128.9 | 143.3 | 157.5 | 171.9 | 186.0 | 196.9 |             |     |
| 9           | 400.0*           |        |        |        |       |       |       |       |       |       |       |       |       |             | 9   |
| 10          | 350.5*           | 307.5* | 264.5* | 255.0* | 196.5 |       |       |       |       |       |       |       |       |             | 10  |
| 12          | 322.5*           | 279.0* | 264.5* | 255.0* | 196.5 | 162.5 |       |       |       |       |       |       |       |             | 12  |
| 14          | 294.5*           | 254.5* | 255.0* | 250.0* | 196.5 | 156.0 |       |       |       |       |       |       |       |             | 14  |
| 16          | 270.0*           | 228.5  | 229.0  | 228.5  | 196.5 | 145.5 | 121.5 |       |       |       |       |       |       |             | 16  |
| 18          | 243.0            | 209.5  | 210.0  | 209.5  | 196.5 | 136.5 | 119.5 |       |       |       |       |       |       |             | 18  |
| 20          | 216.5            | 193.5  | 194.0  | 193.0  | 194.0 | 128.0 | 117.0 | 91.3  | 73.6  |       |       |       |       |             | 20  |
| 25          | 168.5            | 161.0  | 161.5  | 164.5  | 163.5 | 111.0 | 102.0 | 91.3  | 73.6  | 59.3  |       |       |       |             | 25  |
| 30          | 134.5            | 134.5  | 136.5  | 138.0  | 136.5 | 97.5  | 95.5  | 83.8  | 73.3  | 59.3  | 47.6  | 37.5  |       |             | 30  |
| 35          |                  |        | 115.0  | 117.0  | 115.5 | 87.1  | 88.8  | 75.3  | 68.3  | 58.0  | 47.0  | 37.5  | 30.9  |             | 35  |
| 40          |                  |        | 99.8   | 101.0  | 99.8  | 78.0  | 82.2  | 68.0  | 61.7  | 54.9  | 45.7  | 37.4  | 30.9  |             | 40  |
| 45          |                  |        | 87.4   | 88.5   | 87.4  | 71.9  | 76.5  | 62.0  | 56.5  | 51.2  | 42.9  | 36.3  | 30.9  |             | 45  |
| 50          |                  |        |        | 79.4   | 78.0  | 66.7  | 71.4  | 56.7  | 51.9  | 47.9  | 40.1  | 34.4  | 30.9  |             | 50  |
| 55          |                  |        |        | 70.3   | 68.8  | 62.0  | 67.6  | 52.2  | 47.8  | 44.6  | 37.7  | 32.4  | 30.0  |             | 55  |
| 60          |                  |        |        | 60.5   | 59.7  | 58.3  | 63.8  | 48.3  | 44.2  | 41.3  | 35.6  | 30.5  | 28.4  |             | 60  |
| 65          |                  |        |        |        | 52.5  | 56.4  | 56.3  | 44.7  | 41.0  | 38.5  | 33.5  | 28.9  | 27.1  |             | 65  |
| 70          |                  |        |        |        | 46.6  | 51.7  | 50.3  | 41.8  | 38.2  | 35.9  | 31.8  | 27.5  | 25.7  |             | 70  |
| 75          |                  |        |        |        | 43.3  | 46.7  | 45.2  | 40.4  | 35.7  | 33.6  | 30.2  | 26.1  | 24.5  |             | 75  |
| 80          |                  |        |        |        |       | 42.2  | 40.7  | 39.2  | 33.4  | 31.5  | 28.8  | 24.9  | 23.3  |             | 80  |
| 85          |                  |        |        |        |       | 38.4  | 36.8  | 35.5  | 31.4  | 29.4  | 27.4  | 23.9  | 21.9  |             | 85  |
| 90          |                  |        |        |        |       | 34.5  | 33.6  | 32.3  | 30.0  | 27.7  | 26.2  | 22.7  | 20.4  |             | 90  |
| 95          |                  |        |        |        |       |       | 30.7  | 29.4  | 28.5  | 26.2  | 25.1  | 21.7  | 19.1  |             | 95  |
| 100         |                  |        |        |        |       |       | 28.0  | 27.5  | 26.6  | 24.8  | 23.8  | 20.9  | 17.9  |             | 100 |
| 110         |                  |        |        |        |       |       |       | 25.1  | 22.2  | 22.1  | 21.6  | 19.2  | 15.7  |             | 110 |
| 120         |                  |        |        |        |       |       |       |       | 18.5  | 19.9  | 19.8  | 17.9  | 14.0  |             | 120 |
| 130         |                  |        |        |        |       |       |       |       | 17.7  | 17.9  | 16.9  | 16.5  | 12.2  |             | 130 |
| 140         |                  |        |        |        |       |       |       |       |       | 15.4  | 15.1  | 14.9  | 10.7  |             | 140 |
| 150         |                  |        |        |        |       |       |       |       |       |       | 14.0  | 13.0  | 9.4   |             | 150 |
| 160         |                  |        |        |        |       |       |       |       |       |       |       | 12.1  | 8.3   |             | 160 |
| 170         |                  |        |        |        |       |       |       |       |       |       |       |       | 9.3   | 7.1         | 170 |
| 180         |                  |        |        |        |       |       |       |       |       |       |       |       |       | 6.1         | 180 |

\* Special Conditions Or Wire Rope Required  
 (1) Over Rear Only With Swing Lock Engaged

This information is not for crane operation. Operator must refer to the in-cab information for crane operation. Rated lifting capacities shown on fully extended outriggers do not exceed 85% of the tipping loads.

**81,570 lb Counterweight – Fully Extended Outriggers – 360° Rotation**  
**(All Capacities Are Listed In Thousand Pounds)**

| Radius<br>(ft) | Boom Length (ft) |        |        |        |       |       |       |       |       |       |       |       |       | Radius<br>(ft) |
|----------------|------------------|--------|--------|--------|-------|-------|-------|-------|-------|-------|-------|-------|-------|----------------|
|                | 43.3 (1)         | 43.3   | 57.7   | 71.9   | 86.3  | 100.4 | 114.8 | 128.9 | 143.3 | 157.5 | 171.9 | 186.0 | 196.9 |                |
| 9              | 400.0*           |        |        |        |       |       |       |       |       |       |       |       |       | 9              |
| 10             | 350.5*           | 306.0* | 264.5* | 255.0* | 196.5 |       |       |       |       |       |       |       |       | 10             |
| 12             | 318.0*           | 277.5* | 264.5* | 255.0* | 196.5 | 162.5 |       |       |       |       |       |       |       | 12             |
| 14             | 279.0*           | 252.0* | 253.5* | 249.5* | 196.5 | 156.0 |       |       |       |       |       |       |       | 14             |
| 16             | 247.0*           | 226.5  | 227.0  | 226.0  | 196.5 | 145.5 | 121.5 |       |       |       |       |       |       | 16             |
| 18             | 220.5            | 210.0  | 210.0  | 208.5  | 196.5 | 136.5 | 119.5 |       |       |       |       |       |       | 18             |
| 20             | 197.0            | 195.5  | 195.0  | 194.5  | 194.0 | 128.0 | 117.0 | 91.3  | 73.6  |       |       |       |       | 20             |
| 25             | 156.5            | 156.0  | 156.5  | 157.5  | 156.0 | 111.0 | 102.0 | 91.3  | 73.6  | 59.3  |       |       |       | 25             |
| 30             | 128.0            | 128.0  | 128.0  | 129.5  | 128.0 | 97.5  | 95.5  | 83.8  | 73.3  | 59.3  | 47.6  | 37.5  |       | 30             |
| 35             |                  |        | 107.5  | 109.5  | 108.0 | 87.1  | 88.8  | 75.3  | 68.3  | 58.0  | 47.0  | 37.5  | 30.9  | 35             |
| 40             |                  |        | 93.0   | 90.3   | 88.6  | 78.0  | 82.2  | 68.0  | 61.7  | 54.9  | 45.7  | 37.4  | 30.9  | 40             |
| 45             |                  |        | 76.7   | 77.7   | 76.2  | 71.9  | 76.5  | 62.0  | 56.5  | 51.2  | 42.9  | 36.3  | 30.9  | 45             |
| 50             |                  |        |        | 66.4   | 64.8  | 66.7  | 68.2  | 56.7  | 51.9  | 47.9  | 40.1  | 34.4  | 30.9  | 50             |
| 55             |                  |        |        | 56.7   | 55.6  | 60.4  | 59.5  | 52.2  | 47.8  | 44.6  | 37.7  | 32.4  | 30.0  | 55             |
| 60             |                  |        |        | 48.5   | 51.6  | 53.2  | 51.5  | 48.1  | 44.2  | 41.3  | 35.6  | 30.5  | 28.4  | 60             |
| 65             |                  |        |        |        | 47.3  | 46.9  | 45.3  | 43.7  | 41.0  | 38.5  | 33.5  | 28.9  | 27.1  | 65             |
| 70             |                  |        |        |        | 42.3  | 41.7  | 40.1  | 38.8  | 37.9  | 35.9  | 31.8  | 27.5  | 25.7  | 70             |
| 75             |                  |        |        |        | 37.3  | 37.2  | 35.6  | 34.3  | 34.3  | 33.5  | 30.2  | 26.1  | 24.5  | 75             |
| 80             |                  |        |        |        |       | 33.4  | 31.8  | 32.3  | 30.5  | 30.9  | 28.8  | 24.9  | 23.3  | 80             |
| 85             |                  |        |        |        |       | 30.2  | 28.6  | 29.9  | 27.1  | 27.8  | 27.4  | 23.9  | 21.9  | 85             |
| 90             |                  |        |        |        |       | 27.0  | 25.9  | 27.2  | 24.4  | 25.4  | 25.4  | 22.7  | 20.4  | 90             |
| 95             |                  |        |        |        |       |       | 23.4  | 24.8  | 22.4  | 23.9  | 23.2  | 21.6  | 19.1  | 95             |
| 100            |                  |        |        |        |       |       | 21.1  | 22.6  | 21.6  | 22.0  | 20.9  | 20.6  | 17.9  | 100            |
| 110            |                  |        |        |        |       |       |       | 18.9  | 19.4  | 18.2  | 18.6  | 17.9  | 15.7  | 110            |
| 120            |                  |        |        |        |       |       |       |       | 16.4  | 16.2  | 16.0  | 14.8  | 14.0  | 120            |
| 130            |                  |        |        |        |       |       |       |       | 14.2  | 14.4  | 13.3  | 12.2  | 12.2  | 130            |
| 140            |                  |        |        |        |       |       |       |       |       | 12.1  | 11.2  | 10.0  | 10.0  | 140            |
| 150            |                  |        |        |        |       |       |       |       |       |       | 9.4   | 8.1   | 8.1   | 150            |
| 160            |                  |        |        |        |       |       |       |       |       |       | 7.4   | 6.4   | 6.7   | 160            |
| 170            |                  |        |        |        |       |       |       |       |       |       |       | 5.1   | 5.2   | 170            |
| 180            |                  |        |        |        |       |       |       |       |       |       |       |       | 3.8   | 180            |

\* Special Conditions Or Wire Rope Required  
(1) Over Rear Only With Swing Lock Engaged

This information is not for crane operation. Operator must refer to the in-cab information for crane operation. Rated lifting capacities shown on fully extended outriggers do not exceed 85% of the tipping loads.

**55,115 lb Counterweight – Fully Extended Outriggers – 360° Rotation**  
**(All Capacities Are Listed In Thousand Pounds)**

| Radius<br>(ft) | Boom Length (ft) |        |        |        |       |       |       |       |       |       |       |       |       | Radius<br>(ft) |
|----------------|------------------|--------|--------|--------|-------|-------|-------|-------|-------|-------|-------|-------|-------|----------------|
|                | 43.3 (1)         | 43.3   | 57.7   | 71.9   | 86.3  | 100.4 | 114.8 | 128.9 | 143.3 | 157.5 | 171.9 | 186.0 | 196.9 |                |
| 9              | 400.0*           |        |        |        |       |       |       |       |       |       |       |       |       | 9              |
| 10             | 350.5*           | 306.0* | 264.5* | 255.0* | 196.5 |       |       |       |       |       |       |       |       | 10             |
| 12             | 315.5*           | 277.5* | 264.5* | 255.0* | 196.5 | 162.5 |       |       |       |       |       |       |       | 12             |
| 14             | 267.0*           | 256.5* | 258.0* | 252.5* | 196.5 | 156.0 |       |       |       |       |       |       |       | 14             |
| 16             | 233.5            | 233.0  | 233.5  | 231.5  | 196.5 | 145.5 | 121.5 |       |       |       |       |       |       | 16             |
| 18             | 208.5            | 208.5  | 208.5  | 207.0  | 192.5 | 136.5 | 119.5 |       |       |       |       |       |       | 18             |
| 20             | 186.5            | 186.5  | 186.0  | 187.0  | 185.5 | 128.0 | 117.0 | 91.3  | 73.6  |       |       |       |       | 20             |
| 25             | 148.0            | 148.0  | 147.5  | 148.5  | 147.0 | 111.0 | 102.0 | 91.3  | 73.6  | 59.3  |       |       |       | 25             |
| 30             | 120.0            | 120.4  | 120.0  | 122.0  | 117.5 | 97.5  | 95.5  | 83.8  | 73.3  | 59.3  | 47.6  | 37.5  |       | 30             |
| 35             |                  |        | 93.8   | 96.0   | 91.5  | 85.2  | 88.8  | 75.3  | 68.3  | 58.0  | 47.0  | 37.5  | 30.9  | 35             |
| 40             |                  |        | 74.8   | 77.0   | 75.2  | 77.2  | 76.3  | 67.8  | 61.7  | 54.9  | 45.7  | 37.4  | 30.9  | 40             |
| 45             |                  |        | 61.2   | 63.2   | 64.1  | 67.1  | 65.7  | 59.7  | 56.5  | 51.2  | 42.9  | 36.3  | 30.9  | 45             |
| 50             |                  |        |        | 53.0   | 56.8  | 57.2  | 55.6  | 51.8  | 49.4  | 47.9  | 40.1  | 34.4  | 30.9  | 50             |
| 55             |                  |        |        | 47.6   | 49.5  | 48.7  | 47.1  | 44.7  | 42.8  | 42.8  | 37.7  | 32.4  | 30.0  | 55             |
| 60             |                  |        |        | 42.2   | 42.6  | 41.9  | 40.2  | 39.5  | 37.3  | 36.3  | 35.4  | 30.5  | 28.4  | 60             |
| 65             |                  |        |        |        | 37.1  | 36.4  | 35.0  | 36.1  | 33.1  | 32.9  | 32.3  | 28.9  | 27.1  | 65             |
| 70             |                  |        |        |        | 32.7  | 32.2  | 30.7  | 32.2  | 28.9  | 29.1  | 29.0  | 27.5  | 25.7  | 70             |
| 75             |                  |        |        |        | 28.5  | 28.5  | 27.0  | 28.5  | 26.7  | 26.0  | 25.9  | 25.3  | 24.3  | 75             |
| 80             |                  |        |        |        |       | 25.3  | 23.8  | 25.3  | 24.8  | 23.7  | 23.8  | 22.5  | 22.7  | 80             |
| 85             |                  |        |        |        |       | 22.4  | 20.9  | 22.4  | 22.8  | 22.3  | 22.1  | 19.8  | 21.0  | 85             |
| 90             |                  |        |        |        |       | 19.6  | 19.9  | 20.1  | 20.8  | 20.7  | 20.3  | 18.0  | 18.9  | 90             |
| 95             |                  |        |        |        |       |       | 19.1  | 17.9  | 18.8  | 18.9  | 18.5  | 16.5  | 16.9  | 95             |
| 100            |                  |        |        |        |       |       | 18.3  | 16.4  | 17.5  | 17.2  | 16.6  | 15.0  | 15.2  | 100            |
| 110            |                  |        |        |        |       |       |       | 14.3  | 15.0  | 14.4  | 13.3  | 12.1  | 12.2  | 110            |
| 120            |                  |        |        |        |       |       |       |       | 12.4  | 11.5  | 10.7  | 9.5   | 9.5   | 120            |
| 130            |                  |        |        |        |       |       |       |       | 10.2  | 9.3   | 8.4   | 7.3   | 7.3   | 130            |
| 140            |                  |        |        |        |       |       |       |       |       | 7.4   | 6.6   | 5.4   | 5.4   | 140            |
| 150            |                  |        |        |        |       |       |       |       |       |       | 5.0   | 4.1   | 4.1   | 150            |
| 160            |                  |        |        |        |       |       |       |       |       |       | 3.9   | 2.4   | 2.4   | 160            |

\* Special Conditions Or Wire Rope Required  
(1) Over Rear Only With Swing Lock Engaged

This information is not for crane operation. Operator must refer to the in-cab information for crane operation. Rated lifting capacities shown on fully extended outriggers do not exceed 85% of the tipping loads.

**28,660 lb Counterweight – Fully Extended Outriggers – 360° Rotation**  
**(All Capacities Are Listed In Thousand Pounds)**

| Radius<br>(ft) | Boom Length (ft) |        |        |        |       |       |       |       |       |       |       |       | Radius<br>(ft) |       |
|----------------|------------------|--------|--------|--------|-------|-------|-------|-------|-------|-------|-------|-------|----------------|-------|
|                | 43.3 (1)         | 43.3   | 57.7   | 71.9   | 86.3  | 100.4 | 114.8 | 128.9 | 143.3 | 157.5 | 171.9 | 186.0 |                | 196.9 |
| 9              | 400.0*           |        |        |        |       |       |       |       |       |       |       |       |                | 9     |
| 10             | 348.0*           | 306.0* | 264.5* | 255.0* | 196.5 |       |       |       |       |       |       |       |                | 10    |
| 12             | 293.5*           | 276.5* | 264.5* | 255.0* | 196.5 | 162.5 |       |       |       |       |       |       |                | 12    |
| 14             | 252.0*           | 249.0* | 250.0* | 245.0* | 196.5 | 156.0 |       |       |       |       |       |       |                | 14    |
| 16             | 220.0            | 220.0  | 220.0  | 218.5  | 196.5 | 145.5 | 121.5 |       |       |       |       |       |                | 16    |
| 18             | 196.5            | 196.5  | 196.0  | 195.0  | 187.0 | 136.5 | 119.5 |       |       |       |       |       |                | 18    |
| 20             | 175.5            | 175.5  | 175.0  | 176.5  | 174.0 | 128.0 | 117.0 | 91.3  | 73.6  |       |       |       |                | 20    |
| 25             | 134.5            | 134.5  | 134.0  | 132.5  | 128.0 | 111.0 | 102.0 | 91.3  | 73.6  | 59.3  |       |       |                | 25    |
| 30             | 96.0             | 96.0   | 95.8   | 98.2   | 96.4  | 91.8  | 94.5  | 83.8  | 73.3  | 59.3  | 47.6  | 37.5  |                | 30    |
| 35             |                  |        | 71.2   | 73.5   | 74.9  | 77.9  | 77.1  | 70.6  | 68.0  | 58.0  | 47.0  | 37.5  | 30.9           | 35    |
| 40             |                  |        | 57.1   | 59.9   | 60.4  | 62.7  | 60.7  | 55.6  | 55.3  | 54.4  | 45.7  | 37.4  | 30.9           | 40    |
| 45             |                  |        | 48.2   | 50.9   | 51.3  | 50.9  | 49.1  | 46.9  | 46.6  | 47.0  | 42.9  | 36.3  | 30.9           | 45    |
| 50             |                  |        |        | 42.6   | 43.0  | 42.3  | 40.5  | 41.2  | 38.7  | 39.2  | 37.0  | 34.4  | 30.9           | 50    |
| 55             |                  |        |        | 35.8   | 36.2  | 35.5  | 33.8  | 35.6  | 34.0  | 32.7  | 31.8  | 31.2  | 29.8           | 55    |
| 60             |                  |        |        | 30.3   | 30.9  | 30.1  | 28.5  | 30.3  | 31.1  | 29.6  | 28.5  | 27.2  | 27.4           | 60    |
| 65             |                  |        |        |        | 27.9  | 25.9  | 26.2  | 25.9  | 26.9  | 26.6  | 25.5  | 24.0  | 24.4           | 65    |
| 70             |                  |        |        |        | 24.8  | 22.4  | 24.4  | 22.9  | 23.9  | 23.7  | 22.6  | 20.9  | 21.4           | 70    |
| 75             |                  |        |        |        | 21.6  | 20.6  | 22.3  | 20.8  | 21.3  | 21.0  | 19.9  | 18.3  | 18.6           | 75    |
| 80             |                  |        |        |        |       | 18.8  | 19.9  | 18.8  | 19.2  | 18.4  | 17.3  | 16.0  | 16.2           | 80    |
| 85             |                  |        |        |        |       | 17.3  | 17.6  | 17.3  | 16.9  | 16.0  | 14.9  | 13.8  | 13.8           | 85    |
| 90             |                  |        |        |        |       | 15.8  | 15.7  | 15.3  | 15.0  | 14.1  | 13.0  | 11.9  | 11.9           | 90    |
| 95             |                  |        |        |        |       |       | 13.9  | 13.5  | 13.3  | 12.4  | 11.4  | 10.2  | 10.3           | 95    |
| 100            |                  |        |        |        |       |       | 12.3  | 11.9  | 11.6  | 10.8  | 9.9   | 8.6   | 8.8            | 100   |
| 110            |                  |        |        |        |       |       |       | 9.4   | 9.1   | 8.1   | 7.4   | 6.1   | 6.1            | 110   |
| 120            |                  |        |        |        |       |       |       |       | 7.0   | 6.2   | 5.2   | 4.0   | 4.0            | 120   |
| 130            |                  |        |        |        |       |       |       |       |       | 5.3   | 4.4   | 3.5   |                | 130   |
| 140            |                  |        |        |        |       |       |       |       |       |       | 2.9   |       |                | 140   |

\* Special Conditions Or Wire Rope Required  
 (1) Over Rear Only With Swing Lock Engaged

This information is not for crane operation. Operator must refer to the in-cab information for crane operation. Rated lifting capacities shown on fully extended outriggers do not exceed 85% of the tipping loads.

**0 lb Counterweight – Fully Extended Outriggers – 360° Rotation**  
**(All Capacities Are Listed In Thousand Pounds)**

| Radius<br>(ft) | Boom Length (ft) |        |        |        |       |       |       |       |       | Radius<br>(ft) |
|----------------|------------------|--------|--------|--------|-------|-------|-------|-------|-------|----------------|
|                | 43.3 (1)         | 43.3   | 57.7   | 71.9   | 86.3  | 100.4 | 114.8 | 128.9 | 143.3 |                |
| 10             | 326.0*           | 306.0* | 264.5* | 255.0* | 196.5 |       |       |       |       | 10             |
| 12             | 274.0*           | 274.0* | 260.0* | 252.5* | 196.5 | 162.5 |       |       |       | 12             |
| 14             | 235.5            | 235.5  | 235.0  | 233.5  | 196.5 | 156.0 |       |       |       | 14             |
| 16             | 205.5            | 205.5  | 205.0  | 206.0  | 196.5 | 145.5 | 121.5 |       |       | 16             |
| 18             | 181.0            | 181.0  | 180.5  | 183.0  | 179.0 | 136.5 | 119.5 |       |       | 18             |
| 20             | 156.0            | 156.0  | 156.0  | 159.5  | 156.0 | 127.1 | 117.0 | 91.3  | 54.0  | 20             |
| 25             | 97.7             | 95.9   | 95.6   | 96.6   | 94.3  | 95.3  | 91.9  | 87.0  | 53.7  | 25             |
| 30             | 66.2             | 62.0   | 65.3   | 69.7   | 72.4  | 71.3  | 68.7  | 66.3  | 50.1  | 30             |
| 35             |                  |        | 49.6   | 52.5   | 53.0  | 52.1  | 49.8  | 49.1  | 45.9  | 35             |
| 40             |                  |        | 38.0   | 40.4   | 41.1  | 40.2  | 38.4  | 37.8  | 38.9  | 40             |
| 45             |                  |        | 29.8   | 32.4   | 34.3  | 32.2  | 33.3  | 33.0  | 34.0  | 45             |
| 50             |                  |        |        | 26.4   | 28.4  | 28.2  | 28.7  | 28.4  | 28.4  | 50             |
| 55             |                  |        |        | 21.6   | 23.6  | 24.1  | 24.4  | 24.0  | 23.6  | 55             |
| 60             |                  |        |        | 17.5   | 19.7  | 20.1  | 20.6  | 20.1  | 19.7  | 60             |
| 65             |                  |        |        |        | 16.5  | 16.9  | 17.4  | 16.9  | 16.5  | 65             |
| 70             |                  |        |        |        | 13.9  | 14.5  | 14.8  | 14.5  | 13.9  | 70             |
| 75             |                  |        |        |        | 11.4  | 12.2  | 12.5  | 12.2  | 11.6  | 75             |
| 80             |                  |        |        |        |       | 10.2  | 10.6  | 10.2  | 9.7   | 80             |
| 85             |                  |        |        |        |       | 8.7   | 8.9   | 8.7   | 8.0   | 85             |
| 90             |                  |        |        |        |       | 7.2   | 7.6   | 7.2   | 6.8   | 90             |
| 95             |                  |        |        |        |       |       | 6.3   | 5.9   | 5.7   | 95             |
| 100            |                  |        |        |        |       |       | 5.1   | 4.8   | 4.6   | 100            |
| 110            |                  |        |        |        |       |       |       | 3.1   | 2.9   | 110            |

\* Special Conditions Or Wire Rope Required  
 (1) Over Rear Only With Swing Lock Engaged

This information is not for crane operation. Operator must refer to the in-cab information for crane operation. Rated lifting capacities shown on fully extended outriggers do not exceed 85% of the tipping loads.

# Fly Attachment Lift Capacity Charts – Optional

| 112,435 lb Counterweight – Fully Extended Outriggers – 360° Rotation<br>(All Capacities Are Listed In Thousand Pounds) |                    |      |      |                           |      |      |                           |      |      |             |
|--|--------------------|------|------|---------------------------|------|------|---------------------------|------|------|-------------|
| 43.3 ft Main Boom Length   |                    |      |      | 186.0 ft Main Boom Length |      |      | 196.9 ft Main Boom Length |      |      | Radius (ft) |
| Radius (ft)  | 17.7 ft Offset Fly |      |      | 17.7 ft Offset Fly        |      |      | 17.7 ft Offset Fly        |      |      |             |
|  | 0°                 | 20°  | 40°  | 0°                        | 20°  | 40°  | 0°                        | 20°  | 40°  |             |
| 10   | 72.8               |      |      |                           |      |      |                           |      |      | 10          |
| 12   | 68.7               | 51.4 |      |                           |      |      |                           |      |      | 12          |
| 14   | 65.7               | 49.3 |      |                           |      |      |                           |      |      | 14          |
| 16   | 63.0               | 47.9 | 40.3 |                           |      |      |                           |      |      | 16          |
| 18   | 60.0               | 46.4 | 39.8 |                           |      |      |                           |      |      | 18          |
| 20   | 57.0               | 45.0 | 39.4 |                           |      |      |                           |      |      | 20          |
| 25   | 51.8               | 42.6 | 38.2 |                           |      |      |                           |      |      | 25          |
| 30   | 47.3               | 40.6 | 37.2 |                           |      |      |                           |      |      | 30          |
| 35   | 43.9               | 38.9 | 37.0 | 23.0                      |      |      |                           |      |      | 35          |
| 40   | 41.2               | 37.8 | 37.0 | 21.9                      | 20.2 |      | 20.4                      |      |      | 40          |
| 45   | 39.0               | 37.2 |      | 20.9                      | 19.3 |      | 19.4                      | 18.0 |      | 45          |
| 50   | 37.6               |      |      | 19.9                      | 18.5 | 17.5 | 18.5                      | 17.3 | 16.4 | 50          |
| 55   |                    |      |      | 19.1                      | 17.7 | 16.9 | 17.7                      | 16.6 | 15.8 | 55          |
| 60   |                    |      |      | 18.4                      | 17.1 | 16.4 | 17.1                      | 16.0 | 15.3 | 60          |
| 65   |                    |      |      | 17.5                      | 16.6 | 15.9 | 16.4                      | 15.5 | 14.8 | 65          |
| 70   |                    |      |      | 16.8                      | 16.1 | 15.4 | 15.7                      | 15.0 | 14.3 | 70          |
| 75   |                    |      |      | 16.3                      | 15.6 | 14.9 | 15.1                      | 14.5 | 13.9 | 75          |
| 80   |                    |      |      | 15.7                      | 15.1 | 14.5 | 14.6                      | 14.0 | 13.6 | 80          |
| 85   |                    |      |      | 15.0                      | 14.6 | 14.1 | 14.1                      | 13.5 | 13.2 | 85          |
| 90   |                    |      |      | 14.5                      | 14.1 | 13.8 | 13.6                      | 13.1 | 12.9 | 90          |
| 95   |                    |      |      | 14.1                      | 13.6 | 13.4 | 13.1                      | 12.7 | 12.5 | 95          |
| 100  |                    |      |      | 13.7                      | 13.1 | 12.9 | 12.7                      | 12.2 | 12.0 | 100         |
| 110  |                    |      |      | 12.9                      | 12.4 | 12.2 | 12.0                      | 11.6 | 11.3 | 110         |
| 120  |                    |      |      | 12.2                      | 11.8 | 11.6 | 11.3                      | 11.0 | 10.9 | 120         |
| 130  |                    |      |      | 11.5                      | 11.3 | 11.1 | 10.8                      | 10.4 | 10.4 | 130         |
| 140  |                    |      |      | 11.0                      | 10.8 | 10.7 | 10.4                      | 10.1 | 9.9  | 140         |
| 150  |                    |      |      | 10.6                      | 10.4 | 10.4 | 9.9                       | 9.6  | 9.5  | 150         |
| 160  |                    |      |      | 10.1                      | 9.9  | 10.1 | 9.4                       | 9.1  | 9.1  | 160         |
| 170  |                    |      |      | 8.9                       | 8.9  |      | 8.8                       | 8.6  | 8.6  | 170         |
| 180  |                    |      |      | 7.7                       | 7.6  |      | 7.7                       | 7.7  |      | 180         |
| 190  |                    |      |      |                           |      |      | 6.4                       | 6.4  |      | 190         |
| 200  |                    |      |      |                           |      |      | 5.1                       | 5.1  |      | 200         |

This information is not for crane operation. Operator must refer to the in-cab information for crane operation. Rated lifting capacities shown on fully extended outriggers do not exceed 85% of the tipping loads.

| 112,435 lb Counterweight – Fully Extended Outriggers – 360° Rotation<br>(All Capacities Are Listed In Thousand Pounds) |                    |      |     |                    |     |     |                    |     |     |                     |     |                     |                |
|--|--------------------|------|-----|--------------------|-----|-----|--------------------|-----|-----|---------------------|-----|---------------------|----------------|
| 196.9 ft Main Boom Length  |                    |      |     |                    |     |     |                    |     |     |                     |     |                     |                |
| Radius<br>(ft)   | 43.3 ft Offset Fly |      |     | 63.0 ft Offset Fly |     |     | 82.7 ft Offset Fly |     |     | 102.4 ft Offset Fly |     | 122.0 ft Offset Fly | Radius<br>(ft) |
|  | 0°                 | 20°  | 40° | 0°                 | 20° | 40° | 0°                 | 20° | 40° | 0°                  | 20° | 0°                  |                |
| 40   | 13.9               |      |     | 10.6               |     |     |                    |     |     |                     |     |                     | 40             |
| 45   | 13.9               |      |     | 10.6               |     |     |                    |     |     |                     |     |                     | 45             |
| 50   | 13.9               |      |     | 10.6               |     |     | 7.9                |     |     | 6.2                 |     |                     | 50             |
| 55   | 13.9               |      |     | 10.6               |     |     | 7.9                |     |     | 6.2                 |     | 4.5                 | 55             |
| 60   | 13.8               | 11.7 |     | 10.6               |     |     | 7.9                |     |     | 6.2                 |     | 4.4                 | 60             |
| 65   | 13.3               | 11.5 |     | 10.6               |     |     | 7.9                |     |     | 6.2                 |     | 4.2                 | 65             |
| 70   | 12.8               | 11.2 | 9.6 | 10.6               | 9.4 |     | 7.9                |     |     | 6.0                 |     | 4.2                 | 70             |
| 75   | 12.4               | 10.9 | 9.4 | 10.4               | 9.1 |     | 7.9                |     |     | 6.0                 |     | 4.1                 | 75             |
| 80   | 12.0               | 10.7 | 9.2 | 10.1               | 8.8 |     | 7.9                | 6.8 |     | 5.9                 |     | 4.0                 | 80             |
| 85   | 11.5               | 10.4 | 9.0 | 9.7                | 8.6 |     | 7.9                | 6.6 |     | 5.7                 |     | 4.0                 | 85             |
| 90   | 11.1               | 10.0 | 9.0 | 9.4                | 8.3 | 7.6 | 7.9                | 6.5 |     | 5.6                 |     | 3.8                 | 90             |
| 95   | 10.8               | 9.7  | 8.9 | 9.2                | 8.1 | 7.4 | 7.7                | 6.4 |     | 5.5                 | 4.4 | 3.7                 | 95             |
| 100  | 10.5               | 9.4  | 8.8 | 8.9                | 7.8 | 7.2 | 7.4                | 6.3 | 5.5 | 5.5                 | 4.4 | 3.7                 | 100            |
| 110  | 10.0               | 9.1  | 8.4 | 8.4                | 7.3 | 6.9 | 7.1                | 6.0 | 5.3 | 5.1                 | 4.2 | 3.5                 | 110            |
| 120  | 9.4                | 8.5  | 8.1 | 7.9                | 7.0 | 6.6 | 6.6                | 5.9 | 5.2 | 5.0                 | 4.0 | 3.3                 | 120            |
| 130  | 8.9                | 8.2  | 7.8 | 7.5                | 6.7 | 6.2 | 6.2                | 5.6 | 5.1 | 4.9                 | 4.0 | 3.1                 | 130            |
| 140  | 8.4                | 7.9  | 7.6 | 7.2                | 6.3 | 6.0 | 5.9                | 5.2 | 4.9 | 4.7                 | 3.8 | 3.1                 | 140            |
| 150  | 8.0                | 7.5  | 7.3 | 6.9                | 6.1 | 5.9 | 5.6                | 5.0 | 4.8 | 4.5                 | 3.7 | 3.0                 | 150            |
| 160  | 7.6                | 7.2  | 7.0 | 6.5                | 5.9 | 5.6 | 5.4                | 4.8 | 4.6 | 4.4                 | 3.5 | 2.8                 | 160            |
| 170  | 7.3                | 6.9  | 6.8 | 6.2                | 5.7 | 5.3 | 5.1                | 4.6 | 4.4 | 4.2                 | 3.3 | 2.7                 | 170            |
| 180  | 7.0                | 6.7  | 6.5 | 5.9                | 5.4 | 5.1 | 4.9                | 4.5 | 4.3 | 4.0                 | 3.1 | 2.6                 | 180            |
| 190  | 6.6                | 6.5  | 6.3 | 5.6                | 5.2 | 5.1 | 4.7                | 4.3 | 4.1 | 3.9                 | 3.1 | 2.5                 | 190            |
| 200  | 6.1                | 6.1  | 5.9 | 5.4                | 5.0 | 5.0 | 4.5                | 4.1 | 3.9 | 3.7                 | 3.0 | 2.4                 | 200            |
| 210  | 5.1                | 5.3  | 5.1 | 5.1                | 4.8 | 4.8 | 4.2                | 3.7 | 3.7 | 3.5                 | 2.9 | 2.4                 | 210            |
| 220  | 4.2                | 4.3  | 3.6 | 4.6                | 4.7 | 4.7 | 3.9                | 3.4 | 3.6 | 3.4                 | 2.7 | 2.3                 | 220            |
| 230  |                    |      |     | 3.7                | 3.8 | 3.7 | 3.5                | 3.1 | 3.4 | 3.2                 | 2.6 |                     | 230            |
| 240  |                    |      |     |                    |     |     | 3.1                | 2.8 | 3.1 | 3.0                 | 2.6 |                     | 240            |
| 250  |                    |      |     |                    |     |     | 2.4                | 2.6 | 2.4 | 2.6                 | 2.4 |                     | 250            |

This information is not for crane operation. Operator must refer to the in-cab information for crane operation. Rated lifting capacities shown on fully extended outriggers do not exceed 85% of the tipping loads.

| 112,435 lb Counterweight – Fully Extended Outriggers – 360° Rotation<br>(All Capacities Are Listed In Thousand Pounds) |                    |      |     |                    |     |     |                    |     |     |                     |     |     |                     |     |                |
|--|--------------------|------|-----|--------------------|-----|-----|--------------------|-----|-----|---------------------|-----|-----|---------------------|-----|----------------|
| 186.0 ft Main Boom Length  |                    |      |     |                    |     |     |                    |     |     |                     |     |     |                     |     |                |
| Radius<br>(ft)   | 43.3 ft Offset Fly |      |     | 63.0 ft Offset Fly |     |     | 82.7 ft Offset Fly |     |     | 102.4 ft Offset Fly |     |     | 122.0 ft Offset Fly |     | Radius<br>(ft) |
|  | 0°                 | 20°  | 40° | 0°                 | 20° | 40° | 0°                 | 20° | 40° | 0°                  | 20° | 40° | 0°                  | 20° |                |
| 40   | 16.5               |      |     | 12.3               |     |     | 9.3                |     |     |                     |     |     |                     |     | 40             |
| 45   | 16.5               |      |     | 12.3               |     |     | 9.3                |     |     |                     |     |     |                     |     | 45             |
| 50   | 16.0               |      |     | 12.3               |     |     | 9.3                |     |     | 6.9                 |     |     |                     |     | 50             |
| 55   | 15.3               | 12.2 |     | 12.3               |     |     | 9.3                |     |     | 6.8                 |     |     | 4.8                 |     | 55             |
| 60   | 14.7               | 11.8 |     | 12.3               |     |     | 9.3                |     |     | 6.6                 |     |     | 4.6                 |     | 60             |
| 65   | 14.2               | 11.5 |     | 11.9               |     |     | 9.3                |     |     | 6.4                 |     |     | 4.4                 |     | 65             |
| 70   | 13.7               | 11.3 | 9.6 | 11.5               | 9.8 |     | 9.0                |     |     | 6.4                 |     |     | 4.4                 |     | 70             |
| 75   | 13.2               | 11.1 | 9.4 | 11.1               | 9.5 |     | 8.7                |     |     | 6.3                 |     |     | 4.3                 |     | 75             |
| 80   | 12.7               | 10.8 | 9.3 | 10.7               | 9.2 |     | 8.6                | 7.0 |     | 6.1                 |     |     | 4.2                 |     | 80             |
| 85   | 12.4               | 10.6 | 9.3 | 10.4               | 9.0 |     | 8.4                | 6.8 |     | 6.0                 |     |     | 4.2                 |     | 85             |
| 90   | 11.9               | 10.4 | 9.1 | 10.0               | 8.7 | 8.0 | 8.2                | 6.7 |     | 5.8                 |     |     | 4.0                 |     | 90             |
| 95   | 11.5               | 10.2 | 8.9 | 9.7                | 8.5 | 7.8 | 8.1                | 6.5 |     | 5.7                 | 4.5 |     | 3.9                 |     | 95             |
| 100  | 11.1               | 9.9  | 8.8 | 9.4                | 8.3 | 7.7 | 7.9                | 6.4 | 5.5 | 5.7                 | 4.4 |     | 3.7                 |     | 100            |
| 110  | 10.5               | 9.5  | 8.6 | 8.9                | 7.8 | 7.2 | 7.4                | 6.2 | 5.3 | 5.3                 | 4.2 |     | 3.6                 | 2.9 | 110            |
| 120  | 10.0               | 9.0  | 8.4 | 8.3                | 7.4 | 7.0 | 7.0                | 6.0 | 5.2 | 5.1                 | 4.1 | 3.7 | 3.5                 | 2.6 | 120            |
| 130  | 9.3                | 8.6  | 8.2 | 8.0                | 7.1 | 6.7 | 6.7                | 5.8 | 5.1 | 4.9                 | 4.0 | 3.5 | 3.3                 | 2.5 | 130            |
| 140  | 9.0                | 8.3  | 8.0 | 7.5                | 6.8 | 6.3 | 6.3                | 5.4 | 4.9 | 4.7                 | 3.8 | 3.4 | 3.2                 | 2.4 | 140            |
| 150  | 8.5                | 8.0  | 7.7 | 7.2                | 6.4 | 6.1 | 6.0                | 5.2 | 4.8 | 4.5                 | 3.7 | 3.3 | 3.0                 | 2.3 | 150            |
| 160  | 8.1                | 7.7  | 7.5 | 7.0                | 6.1 | 5.9 | 5.6                | 5.0 | 4.6 | 4.4                 | 3.5 | 3.3 | 2.8                 | 2.2 | 160            |
| 170  | 7.7                | 7.5  | 7.3 | 6.6                | 6.0 | 5.7 | 5.3                | 4.9 | 4.6 | 4.2                 | 3.5 | 3.1 | 2.7                 | 2.2 | 170            |
| 180  | 7.6                | 7.2  | 7.1 | 6.3                | 5.8 | 5.6 | 5.1                | 4.7 | 4.5 | 4.0                 | 3.4 | 3.1 | 2.5                 |     | 180            |
| 190  | 7.2                | 6.8  | 6.9 | 6.1                | 5.6 | 5.4 | 5.0                | 4.5 | 4.3 | 3.9                 | 3.2 | 3.0 | 2.4                 |     | 190            |
| 200  | 6.5                | 6.3  | 6.4 | 5.8                | 5.5 | 5.3 | 4.8                | 4.4 | 4.1 | 3.7                 | 3.1 | 2.9 | 2.4                 |     | 200            |
| 210  | 5.3                | 5.3  | 4.8 | 5.5                | 5.3 | 5.3 | 4.6                | 4.2 | 4.0 | 3.5                 | 3.1 | 2.9 | 2.2                 |     | 210            |
| 220  |                    |      |     | 4.8                | 4.8 | 4.6 | 4.5                | 4.0 | 4.0 | 3.5                 | 2.9 | 2.9 | 2.2                 |     | 220            |
| 230  |                    |      |     | 3.9                | 3.8 |     | 4.1                | 3.9 | 3.9 | 3.4                 | 2.9 | 2.9 |                     |     | 230            |
| 240  |                    |      |     |                    |     |     | 3.4                | 3.4 |     | 3.2                 | 2.9 | 2.9 |                     |     | 240            |
| 250  |                    |      |     |                    |     |     | 2.6                | 2.6 |     | 2.8                 | 2.9 | 2.9 |                     |     | 250            |

This information is not for crane operation. Operator must refer to the in-cab information for crane operation. Rated lifting capacities shown on fully extended outriggers do not exceed 85% of the tipping loads.



| 81,570 lb Counterweight – Fully Extended Outriggers – 360° Rotation<br>(All Capacities Are Listed In Thousand Pounds) |                    |      |      |                           |      |      |                           |      |      |                |
|---|--------------------|------|------|---------------------------|------|------|---------------------------|------|------|----------------|
| 43.3 ft Main Boom Length  |                    |      |      | 186.0 ft Main Boom Length |      |      | 196.9 ft Main Boom Length |      |      | Radius<br>(ft) |
| Radius<br>(ft)  | 17.7 ft Offset Fly |      |      | 17.7 ft Offset Fly        |      |      | 17.7 ft Offset Fly        |      |      |                |
|   | 0°                 | 20°  | 40°  | 0°                        | 20°  | 40°  | 0°                        | 20°  | 40°  |                |
| 10  | 72.8               |      |      |                           |      |      |                           |      |      | 10             |
| 12  | 68.7               | 51.4 |      |                           |      |      |                           |      |      | 12             |
| 14  | 65.7               | 49.3 |      |                           |      |      |                           |      |      | 14             |
| 16  | 63.0               | 47.9 | 40.3 |                           |      |      |                           |      |      | 16             |
| 18  | 60.0               | 46.4 | 39.8 |                           |      |      |                           |      |      | 18             |
| 20  | 57.0               | 45.0 | 39.4 |                           |      |      |                           |      |      | 20             |
| 25  | 51.8               | 42.6 | 38.2 |                           |      |      |                           |      |      | 25             |
| 30  | 47.3               | 40.6 | 37.2 |                           |      |      |                           |      |      | 30             |
| 35  | 43.9               | 38.9 | 37.0 | 23.0                      |      |      |                           |      |      | 35             |
| 40  | 41.2               | 37.8 | 37.0 | 21.9                      | 20.2 |      | 20.4                      |      |      | 40             |
| 45  | 39.0               | 37.2 |      | 20.9                      | 19.3 |      | 19.4                      | 18.0 |      | 45             |
| 50  | 37.6               |      |      | 19.9                      | 18.5 | 17.5 | 18.5                      | 17.3 | 16.4 | 50             |
| 55  |                    |      |      | 19.1                      | 17.7 | 16.9 | 17.7                      | 16.6 | 15.8 | 55             |
| 60  |                    |      |      | 18.4                      | 17.1 | 16.4 | 17.1                      | 16.0 | 15.3 | 60             |
| 65  |                    |      |      | 17.5                      | 16.6 | 15.9 | 16.4                      | 15.5 | 14.8 | 65             |
| 70  |                    |      |      | 16.8                      | 16.1 | 15.4 | 15.7                      | 15.0 | 14.3 | 70             |
| 75  |                    |      |      | 16.3                      | 15.6 | 14.9 | 15.1                      | 14.5 | 13.9 | 75             |
| 80  |                    |      |      | 15.7                      | 15.1 | 14.5 | 14.6                      | 14.0 | 13.6 | 80             |
| 85  |                    |      |      | 15.0                      | 14.6 | 14.1 | 14.1                      | 13.5 | 13.2 | 85             |
| 90  |                    |      |      | 14.5                      | 14.1 | 13.8 | 13.6                      | 13.1 | 12.9 | 90             |
| 95  |                    |      |      | 14.1                      | 13.6 | 13.4 | 13.1                      | 12.7 | 12.5 | 95             |
| 100   |                    |      |      | 13.7                      | 13.1 | 12.9 | 12.7                      | 12.2 | 12.0 | 100            |
| 110   |                    |      |      | 12.9                      | 12.4 | 12.2 | 12.0                      | 11.6 | 11.3 | 110            |
| 120   |                    |      |      | 12.2                      | 11.8 | 11.6 | 11.3                      | 11.0 | 10.9 | 120            |
| 130   |                    |      |      | 11.5                      | 11.3 | 11.1 | 10.8                      | 10.4 | 10.4 | 130            |
| 140   |                    |      |      | 10.0                      | 10.1 | 10.1 | 9.8                       | 9.8  | 9.9  | 140            |
| 150   |                    |      |      | 8.3                       | 8.5  | 8.7  | 8.2                       | 8.5  | 8.7  | 150            |
| 160   |                    |      |      | 6.7                       | 6.9  | 6.8  | 6.5                       | 6.9  | 6.9  | 160            |
| 170   |                    |      |      | 5.2                       | 5.2  |      | 5.2                       | 5.2  | 5.2  | 170            |
| 180   |                    |      |      | 3.8                       | 3.8  |      | 3.8                       | 3.8  |      | 180            |

This information is not for crane operation. Operator must refer to the in-cab information for crane operation. Rated lifting capacities shown on fully extended outriggers do not exceed 85% of the tipping loads.

| 81,570 lb Counterweight – Fully Extended Outriggers – 360° Rotation<br>(All Capacities Are Listed In Thousand Pounds) |                    |      |     |                    |     |     |                    |     |     |                     |     |                     |             |
|---|--------------------|------|-----|--------------------|-----|-----|--------------------|-----|-----|---------------------|-----|---------------------|-------------|
| 196.9 ft Main Boom Length   |                    |      |     |                    |     |     |                    |     |     |                     |     |                     |             |
| Radius (ft)   | 43.3 ft Offset Fly |      |     | 63.0 ft Offset Fly |     |     | 82.7 ft Offset Fly |     |     | 102.4 ft Offset Fly |     | 122.0 ft Offset Fly | Radius (ft) |
|   | 0°                 | 20°  | 40° | 0°                 | 20° | 40° | 0°                 | 20° | 40° | 0°                  | 20° | 0°                  |             |
| 40  | 13.9               |      |     | 10.6               |     |     |                    |     |     |                     |     |                     | 40          |
| 45  | 13.9               |      |     | 10.6               |     |     |                    |     |     |                     |     |                     | 45          |
| 50  | 13.9               |      |     | 10.6               |     |     | 7.9                |     |     | 6.2                 |     |                     | 50          |
| 55  | 13.9               |      |     | 10.6               |     |     | 7.9                |     |     | 6.2                 |     | 4.5                 | 55          |
| 60  | 13.8               | 11.7 |     | 10.6               |     |     | 7.9                |     |     | 6.2                 |     | 4.4                 | 60          |
| 65  | 13.3               | 11.5 |     | 10.6               |     |     | 7.9                |     |     | 6.2                 |     | 4.2                 | 65          |
| 70  | 12.8               | 11.2 | 9.6 | 10.6               | 9.4 |     | 7.9                |     |     | 6.0                 |     | 4.2                 | 70          |
| 75  | 12.4               | 10.9 | 9.4 | 10.4               | 9.1 |     | 7.9                |     |     | 6.0                 |     | 4.1                 | 75          |
| 80  | 12.0               | 10.7 | 9.2 | 10.1               | 8.8 |     | 7.9                | 6.8 |     | 5.9                 |     | 4.0                 | 80          |
| 85  | 11.5               | 10.4 | 9.0 | 9.7                | 8.6 |     | 7.9                | 6.6 |     | 5.7                 |     | 4.0                 | 85          |
| 90  | 11.1               | 10.0 | 9.0 | 9.4                | 8.3 | 7.6 | 7.9                | 6.5 |     | 5.6                 |     | 3.8                 | 90          |
| 95  | 10.8               | 9.7  | 8.9 | 9.2                | 8.1 | 7.4 | 7.7                | 6.4 |     | 5.5                 | 4.4 | 3.7                 | 95          |
| 100   | 10.5               | 9.4  | 8.8 | 8.9                | 7.8 | 7.2 | 7.4                | 6.3 | 5.5 | 5.5                 | 4.4 | 3.7                 | 100         |
| 110   | 10.0               | 9.1  | 8.4 | 8.4                | 7.3 | 6.9 | 7.1                | 6.0 | 5.3 | 5.1                 | 4.2 | 3.5                 | 110         |
| 120   | 9.4                | 8.5  | 8.1 | 7.9                | 7.0 | 6.6 | 6.6                | 5.9 | 5.2 | 5.0                 | 4.0 | 3.3                 | 120         |
| 130   | 8.9                | 8.2  | 7.8 | 7.5                | 6.7 | 6.2 | 6.2                | 5.6 | 5.1 | 4.9                 | 4.0 | 3.1                 | 130         |
| 140   | 8.4                | 7.9  | 7.6 | 7.2                | 6.3 | 6.0 | 5.9                | 5.2 | 4.9 | 4.7                 | 3.8 | 3.1                 | 140         |
| 150   | 8.0                | 7.5  | 7.3 | 6.9                | 6.1 | 5.9 | 5.6                | 5.0 | 4.8 | 4.5                 | 3.7 | 3.0                 | 150         |
| 160   | 7.4                | 7.2  | 7.0 | 6.5                | 5.9 | 5.6 | 5.4                | 4.8 | 4.6 | 4.4                 | 3.5 | 2.8                 | 160         |
| 170   | 6.2                | 6.9  | 6.8 | 6.2                | 5.7 | 5.3 | 5.1                | 4.6 | 4.4 | 4.2                 | 3.3 | 2.7                 | 170         |
| 180   | 4.9                | 5.4  | 5.6 | 5.2                | 5.4 | 5.1 | 4.9                | 4.5 | 4.3 | 4.0                 | 3.1 | 2.6                 | 180         |
| 190   | 3.8                | 4.1  | 4.2 | 4.1                | 4.8 | 4.9 | 4.4                | 4.3 | 4.1 | 3.9                 | 3.1 | 2.5                 | 190         |
| 200   | 2.8                | 2.9  | 2.9 | 2.9                | 3.9 | 4.2 | 3.7                | 4.0 | 3.9 | 3.5                 | 3.0 | 2.4                 | 200         |
| 210   |                    |      |     |                    | 2.9 | 2.9 | 2.6                | 3.3 | 3.7 | 2.6                 | 2.9 | 2.4                 | 210         |
| 220   |                    |      |     |                    |     |     |                    | 2.7 |     |                     | 2.7 |                     | 220         |

This information is not for crane operation. Operator must refer to the in-cab information for crane operation. Rated lifting capacities shown on fully extended outriggers do not exceed 85% of the tipping loads.

| 81,570 lb Counterweight – Fully Extended Outriggers – 360° Rotation<br>(All Capacities Are Listed In Thousand Pounds) |                    |      |     |                    |     |     |                    |     |     |                     |     |     |                     |     |                |
|---|--------------------|------|-----|--------------------|-----|-----|--------------------|-----|-----|---------------------|-----|-----|---------------------|-----|----------------|
| 186.0 ft Main Boom Length   |                    |      |     |                    |     |     |                    |     |     |                     |     |     |                     |     |                |
| Radius<br>(ft)  | 43.3 ft Offset Fly |      |     | 63.0 ft Offset Fly |     |     | 82.7 ft Offset Fly |     |     | 102.4 ft Offset Fly |     |     | 122.0 ft Offset Fly |     | Radius<br>(ft) |
|   | 0°                 | 20°  | 40° | 0°                 | 20° | 40° | 0°                 | 20° | 40° | 0°                  | 20° | 40° | 0°                  | 20° |                |
| 40  | 16.5               |      |     | 12.3               |     |     | 9.3                |     |     |                     |     |     |                     |     | 40             |
| 45  | 16.5               |      |     | 12.3               |     |     | 9.3                |     |     |                     |     |     |                     |     | 45             |
| 50  | 16.0               |      |     | 12.3               |     |     | 9.3                |     |     | 6.9                 |     |     |                     |     | 50             |
| 55  | 15.3               | 12.2 |     | 12.3               |     |     | 9.3                |     |     | 6.8                 |     |     | 4.8                 |     | 55             |
| 60  | 14.7               | 11.8 |     | 12.3               |     |     | 9.3                |     |     | 6.6                 |     |     | 4.6                 |     | 60             |
| 65  | 14.2               | 11.5 |     | 11.9               |     |     | 9.3                |     |     | 6.4                 |     |     | 4.4                 |     | 65             |
| 70  | 13.7               | 11.3 | 9.6 | 11.5               | 9.8 |     | 9.0                |     |     | 6.4                 |     |     | 4.4                 |     | 70             |
| 75  | 13.2               | 11.1 | 9.4 | 11.1               | 9.5 |     | 8.7                |     |     | 6.3                 |     |     | 4.3                 |     | 75             |
| 80  | 12.7               | 10.8 | 9.3 | 10.7               | 9.2 |     | 8.6                | 7.0 |     | 6.1                 |     |     | 4.2                 |     | 80             |
| 85  | 12.4               | 10.6 | 9.3 | 10.4               | 9.0 |     | 8.4                | 6.8 |     | 6.0                 |     |     | 4.2                 |     | 85             |
| 90  | 11.9               | 10.4 | 9.1 | 10.0               | 8.7 | 8.0 | 8.2                | 6.7 |     | 5.8                 |     |     | 4.0                 |     | 90             |
| 95  | 11.5               | 10.2 | 8.9 | 9.7                | 8.5 | 7.8 | 8.1                | 6.5 |     | 5.7                 | 4.5 |     | 3.9                 |     | 95             |
| 100   | 11.1               | 9.9  | 8.8 | 9.4                | 8.3 | 7.7 | 7.9                | 6.4 | 5.5 | 5.7                 | 4.4 |     | 3.7                 |     | 100            |
| 110   | 10.5               | 9.5  | 8.6 | 8.9                | 7.8 | 7.2 | 7.4                | 6.2 | 5.3 | 5.3                 | 4.2 |     | 3.6                 | 2.9 | 110            |
| 120   | 10.0               | 9.0  | 8.4 | 8.3                | 7.4 | 7.0 | 7.0                | 6.0 | 5.2 | 5.1                 | 4.1 | 3.7 | 3.5                 | 2.6 | 120            |
| 130   | 9.3                | 8.6  | 8.2 | 8.0                | 7.1 | 6.7 | 6.7                | 5.8 | 5.1 | 4.9                 | 4.0 | 3.5 | 3.3                 | 2.5 | 130            |
| 140   | 9.0                | 8.3  | 8.0 | 7.5                | 6.8 | 6.3 | 6.3                | 5.4 | 4.9 | 4.7                 | 3.8 | 3.4 | 3.2                 | 2.4 | 140            |
| 150   | 8.4                | 8.0  | 7.7 | 7.2                | 6.4 | 6.1 | 6.0                | 5.2 | 4.8 | 4.5                 | 3.7 | 3.3 | 3.0                 | 2.3 | 150            |
| 160   | 7.6                | 7.5  | 7.4 | 7.0                | 6.1 | 5.9 | 5.6                | 5.0 | 4.6 | 4.4                 | 3.5 | 3.3 | 2.8                 | 2.2 | 160            |
| 170   | 6.5                | 6.9  | 7.1 | 6.6                | 6.0 | 5.7 | 5.3                | 4.9 | 4.6 | 4.2                 | 3.5 | 3.1 | 2.7                 | 2.2 | 170            |
| 180   | 5.1                | 5.6  | 5.6 | 5.5                | 5.8 | 5.6 | 5.1                | 4.7 | 4.5 | 4.0                 | 3.4 | 3.1 | 2.5                 |     | 180            |
| 190   | 3.9                | 4.2  | 4.1 | 4.4                | 5.1 | 5.0 | 4.5                | 4.5 | 4.3 | 3.9                 | 3.2 | 3.0 | 2.4                 |     | 190            |
| 200   |                    | 2.9  | 2.6 | 3.4                | 4.0 | 4.0 | 3.7                | 4.3 | 4.1 | 3.5                 | 3.1 | 2.9 | 2.4                 |     | 200            |
| 210   |                    |      |     | 2.4                | 2.9 | 2.6 | 2.6                | 3.7 | 4.0 | 2.9                 | 3.1 | 2.9 | 2.2                 |     | 210            |
| 220   |                    |      |     |                    |     |     |                    |     |     |                     | 2.9 | 2.9 |                     |     | 220            |

This information is not for crane operation. Operator must refer to the in-cab information for crane operation. Rated lifting capacities shown on fully extended outriggers do not exceed 85% of the tipping loads.

| 55,115 lb Counterweight – Fully Extended Outriggers – 360° Rotation<br>(All Capacities Are Listed In Thousand Pounds) |                    |      |      |                           |      |      |                           |      |      |             |
|---|--------------------|------|------|---------------------------|------|------|---------------------------|------|------|-------------|
| 43.3 ft Main Boom Length  |                    |      |      | 186.0 ft Main Boom Length |      |      | 196.9 ft Main Boom Length |      |      | Radius (ft) |
| Radius (ft)   | 17.7 ft Offset Fly |      |      | 17.7 ft Offset Fly        |      |      | 17.7 ft Offset Fly        |      |      |             |
|   | 0°                 | 20°  | 40°  | 0°                        | 20°  | 40°  | 0°                        | 20°  | 40°  |             |
| 10  | 72.8               |      |      |                           |      |      |                           |      |      | 10          |
| 12  | 68.7               | 51.4 |      |                           |      |      |                           |      |      | 12          |
| 14  | 65.7               | 49.3 |      |                           |      |      |                           |      |      | 14          |
| 16  | 63.0               | 47.9 | 40.3 |                           |      |      |                           |      |      | 16          |
| 18  | 60.0               | 46.4 | 39.8 |                           |      |      |                           |      |      | 18          |
| 20  | 57.0               | 45.0 | 39.4 |                           |      |      |                           |      |      | 20          |
| 25  | 51.8               | 42.6 | 38.2 |                           |      |      |                           |      |      | 25          |
| 30  | 47.3               | 40.6 | 37.2 |                           |      |      |                           |      |      | 30          |
| 35  | 43.9               | 38.9 | 37.0 | 23.0                      |      |      |                           |      |      | 35          |
| 40  | 41.2               | 37.8 | 37.0 | 21.9                      | 20.2 |      | 20.4                      |      |      | 40          |
| 45  | 39.0               | 37.2 |      | 20.9                      | 19.3 |      | 19.4                      | 18.0 |      | 45          |
| 50  | 37.6               |      |      | 19.9                      | 18.5 | 17.5 | 18.5                      | 17.3 | 16.4 | 50          |
| 55  |                    |      |      | 19.1                      | 17.7 | 16.9 | 17.7                      | 16.6 | 15.8 | 55          |
| 60  |                    |      |      | 18.4                      | 17.1 | 16.4 | 17.1                      | 16.0 | 15.3 | 60          |
| 65  |                    |      |      | 17.5                      | 16.6 | 15.9 | 16.4                      | 15.5 | 14.8 | 65          |
| 70  |                    |      |      | 16.8                      | 16.1 | 15.4 | 15.7                      | 15.0 | 14.3 | 70          |
| 75  |                    |      |      | 16.3                      | 15.6 | 14.9 | 15.1                      | 14.5 | 13.9 | 75          |
| 80  |                    |      |      | 15.7                      | 15.1 | 14.5 | 14.6                      | 14.0 | 13.6 | 80          |
| 85  |                    |      |      | 15.0                      | 14.6 | 14.1 | 14.1                      | 13.5 | 13.2 | 85          |
| 90  |                    |      |      | 14.5                      | 14.1 | 13.8 | 13.6                      | 13.1 | 12.9 | 90          |
| 95  |                    |      |      | 14.1                      | 13.6 | 13.4 | 13.1                      | 12.7 | 12.5 | 95          |
| 100   |                    |      |      | 13.7                      | 13.1 | 12.9 | 12.7                      | 12.2 | 12.0 | 100         |
| 110   |                    |      |      | 12.0                      | 12.4 | 12.2 | 11.8                      | 11.6 | 11.3 | 110         |
| 120   |                    |      |      | 9.5                       | 10.0 | 10.5 | 9.5                       | 10.0 | 10.5 | 120         |
| 130   |                    |      |      | 7.3                       | 7.8  | 8.0  | 7.3                       | 7.8  | 8.0  | 130         |
| 140   |                    |      |      | 5.6                       | 5.9  | 6.1  | 5.6                       | 5.9  | 6.1  | 140         |
| 150   |                    |      |      | 4.0                       | 4.2  | 4.3  | 4.0                       | 4.2  | 4.4  | 150         |

This information is not for crane operation. Operator must refer to the in-cab information for crane operation. Rated lifting capacities shown on fully extended outriggers do not exceed 85% of the tipping loads.

**55,115 lb Counterweight – Fully Extended Outriggers – 360° Rotation**  
**(All Capacities Are Listed In Thousand Pounds)**

**196.9 ft Main Boom Length**

| Radius<br>(ft) | 43.3 ft Offset Fly |      |     | 63.0 ft Offset Fly |     |     | 82.7 ft Offset Fly |     |     | 102.4 ft Offset Fly |     | 122.0 ft Offset Fly | Radius<br>(ft) |
|----------------|--------------------|------|-----|--------------------|-----|-----|--------------------|-----|-----|---------------------|-----|---------------------|----------------|
|                | 0°                 | 20°  | 40° | 0°                 | 20° | 40° | 0°                 | 20° | 40° | 0°                  | 20° | 0°                  |                |
| 40             | 13.9               |      |     | 10.6               |     |     |                    |     |     |                     |     |                     | 40             |
| 45             | 13.9               |      |     | 10.6               |     |     |                    |     |     |                     |     |                     | 45             |
| 50             | 13.9               |      |     | 10.6               |     |     | 7.9                |     |     | 6.2                 |     |                     | 50             |
| 55             | 13.9               |      |     | 10.6               |     |     | 7.9                |     |     | 6.2                 |     | 4.5                 | 55             |
| 60             | 13.8               | 11.7 |     | 10.6               |     |     | 7.9                |     |     | 6.2                 |     | 4.4                 | 60             |
| 65             | 13.3               | 11.5 |     | 10.6               |     |     | 7.9                |     |     | 6.2                 |     | 4.2                 | 65             |
| 70             | 12.8               | 11.2 | 9.6 | 10.6               | 9.4 |     | 7.9                |     |     | 6.0                 |     | 4.2                 | 70             |
| 75             | 12.4               | 10.9 | 9.4 | 10.4               | 9.1 |     | 7.9                |     |     | 6.0                 |     | 4.1                 | 75             |
| 80             | 12.0               | 10.7 | 9.2 | 10.1               | 8.8 |     | 7.9                | 6.8 |     | 5.9                 |     | 4.0                 | 80             |
| 85             | 11.5               | 10.4 | 9.0 | 9.7                | 8.6 |     | 7.9                | 6.6 |     | 5.7                 |     | 4.0                 | 85             |
| 90             | 11.1               | 10.0 | 9.0 | 9.4                | 8.3 | 7.6 | 7.9                | 6.5 |     | 5.6                 |     | 3.8                 | 90             |
| 95             | 10.8               | 9.7  | 8.9 | 9.2                | 8.1 | 7.4 | 7.7                | 6.4 |     | 5.5                 | 4.4 | 3.7                 | 95             |
| 100            | 10.5               | 9.4  | 8.8 | 8.9                | 7.8 | 7.2 | 7.4                | 6.3 | 5.5 | 5.5                 | 4.4 | 3.7                 | 100            |
| 110            | 10.0               | 9.1  | 8.4 | 8.4                | 7.3 | 6.9 | 7.1                | 6.0 | 5.3 | 5.1                 | 4.2 | 3.5                 | 110            |
| 120            | 9.4                | 8.5  | 8.1 | 7.9                | 7.0 | 6.6 | 6.6                | 5.9 | 5.2 | 5.0                 | 4.0 | 3.3                 | 120            |
| 130            | 8.3                | 8.2  | 7.8 | 7.5                | 6.7 | 6.2 | 6.2                | 5.6 | 5.1 | 4.9                 | 4.0 | 3.1                 | 130            |
| 140            | 6.5                | 7.4  | 7.6 | 6.8                | 6.3 | 6.0 | 5.9                | 5.2 | 4.9 | 4.7                 | 3.8 | 3.1                 | 140            |
| 150            | 5.1                | 6.1  | 6.5 | 5.5                | 6.0 | 5.9 | 5.4                | 5.0 | 4.8 | 4.5                 | 3.7 | 3.0                 | 150            |
| 160            | 3.9                | 4.5  | 4.9 | 4.1                | 5.4 | 5.5 | 4.5                | 4.8 | 4.6 | 4.2                 | 3.5 | 2.8                 | 160            |
| 170            | 2.5                | 3.2  | 3.4 | 2.9                | 4.0 | 4.7 | 3.2                | 4.6 | 4.4 | 3.4                 | 3.3 | 2.7                 | 170            |
| 180            |                    |      |     |                    | 2.9 | 3.4 |                    | 3.5 | 4.1 |                     | 3.1 |                     | 180            |
| 190            |                    |      |     |                    |     |     |                    | 3.2 |     |                     | 2.8 |                     | 190            |

This information is not for crane operation. Operator must refer to the in-cab information for crane operation. Rated lifting capacities shown on fully extended outriggers do not exceed 85% of the tipping loads.

| 55,115 lb Counterweight – Fully Extended Outriggers – 360° Rotation<br>(All Capacities Are Listed In Thousand Pounds) |                    |      |     |                    |     |     |                    |     |     |                     |     |     |                     |     |                |
|---|--------------------|------|-----|--------------------|-----|-----|--------------------|-----|-----|---------------------|-----|-----|---------------------|-----|----------------|
| 186.0 ft Main Boom Length   |                    |      |     |                    |     |     |                    |     |     |                     |     |     |                     |     |                |
| Radius<br>(ft)  | 43.3 ft Offset Fly |      |     | 63.0 ft Offset Fly |     |     | 82.7 ft Offset Fly |     |     | 102.4 ft Offset Fly |     |     | 122.0 ft Offset Fly |     | Radius<br>(ft) |
|   | 0°                 | 20°  | 40° | 0°                 | 20° | 40° | 0°                 | 20° | 40° | 0°                  | 20° | 40° | 0°                  | 20° |                |
| 40  | 16.5               |      |     | 12.3               |     |     | 9.3                |     |     |                     |     |     |                     |     | 40             |
| 45  | 16.5               |      |     | 12.3               |     |     | 9.3                |     |     |                     |     |     |                     |     | 45             |
| 50  | 16.0               |      |     | 12.3               |     |     | 9.3                |     |     | 6.9                 |     |     |                     |     | 50             |
| 55  | 15.3               | 12.2 |     | 12.3               |     |     | 9.3                |     |     | 6.8                 |     |     | 4.8                 |     | 55             |
| 60  | 14.7               | 11.8 |     | 12.3               |     |     | 9.3                |     |     | 6.6                 |     |     | 4.6                 |     | 60             |
| 65  | 14.2               | 11.5 |     | 11.9               |     |     | 9.3                |     |     | 6.4                 |     |     | 4.4                 |     | 65             |
| 70  | 13.7               | 11.3 | 9.6 | 11.5               | 9.8 |     | 9.0                |     |     | 6.4                 |     |     | 4.4                 |     | 70             |
| 75  | 13.2               | 11.1 | 9.4 | 11.1               | 9.5 |     | 8.7                |     |     | 6.3                 |     |     | 4.3                 |     | 75             |
| 80  | 12.7               | 10.8 | 9.3 | 10.7               | 9.2 |     | 8.6                | 7.0 |     | 6.1                 |     |     | 4.2                 |     | 80             |
| 85  | 12.4               | 10.6 | 9.3 | 10.4               | 9.0 |     | 8.4                | 6.8 |     | 6.0                 |     |     | 4.2                 |     | 85             |
| 90  | 11.9               | 10.4 | 9.1 | 10.0               | 8.7 | 8.0 | 8.2                | 6.7 |     | 5.8                 |     |     | 4.0                 |     | 90             |
| 95  | 11.5               | 10.2 | 8.9 | 9.7                | 8.5 | 7.8 | 8.1                | 6.5 |     | 5.7                 | 4.5 |     | 3.9                 |     | 95             |
| 100   | 11.1               | 9.9  | 8.8 | 9.4                | 8.3 | 7.7 | 7.9                | 6.4 | 5.5 | 5.7                 | 4.4 |     | 3.7                 |     | 100            |
| 110   | 10.5               | 9.5  | 8.6 | 8.9                | 7.8 | 7.2 | 7.4                | 6.2 | 5.3 | 5.3                 | 4.2 |     | 3.6                 | 2.9 | 110            |
| 120   | 10.0               | 9.0  | 8.4 | 8.3                | 7.4 | 7.0 | 7.0                | 6.0 | 5.2 | 5.1                 | 4.1 | 3.7 | 3.5                 | 2.6 | 120            |
| 130   | 8.8                | 8.6  | 8.2 | 8.0                | 7.1 | 6.7 | 6.7                | 5.8 | 5.1 | 4.9                 | 4.0 | 3.5 | 3.3                 | 2.5 | 130            |
| 140   | 7.0                | 7.6  | 7.7 | 7.1                | 6.8 | 6.3 | 6.3                | 5.4 | 4.9 | 4.7                 | 3.8 | 3.4 | 3.2                 | 2.4 | 140            |
| 150   | 5.3                | 6.1  | 6.5 | 5.8                | 6.2 | 6.1 | 5.7                | 5.2 | 4.8 | 4.5                 | 3.7 | 3.3 | 3.0                 | 2.3 | 150            |
| 160   | 3.9                | 4.5  | 4.9 | 4.3                | 5.4 | 5.7 | 4.7                | 5.0 | 4.6 | 4.3                 | 3.5 | 3.3 | 2.8                 | 2.2 | 160            |
| 170   | 2.5                | 3.2  | 3.4 | 2.9                | 4.3 | 4.7 | 3.4                | 4.9 | 4.6 | 3.8                 | 3.5 | 3.1 | 2.7                 | 2.2 | 170            |
| 180   |                    |      |     |                    | 2.9 | 3.4 |                    | 3.6 | 4.2 |                     | 3.4 | 3.1 | 2.5                 |     | 180            |
| 190   |                    |      |     |                    |     |     |                    |     | 3.2 |                     | 2.9 | 3.0 |                     |     | 190            |
| 200   |                    |      |     |                    |     |     |                    |     |     |                     |     | 2.8 |                     |     | 200            |

This information is not for crane operation. Operator must refer to the in-cab information for crane operation. Rated lifting capacities shown on fully extended outriggers do not exceed 85% of the tipping loads.

| 28,660 lb Counterweight – Fully Extended Outriggers – 360° Rotation<br>(All Capacities Are Listed In Thousand Pounds) |                    |      |      |                    |      |      |                    |      |     |                    |      |      |                    |      |     |     |             |
|---|--------------------|------|------|--------------------|------|------|--------------------|------|-----|--------------------|------|------|--------------------|------|-----|-----|-------------|
| 43.3 ft Main Boom   |                    |      |      | 186.0 ft Main Boom |      |      |                    |      |     | 196.9 ft Main Boom |      |      |                    |      |     |     |             |
| Radius (ft)   | 17.7 ft Offset Fly |      |      | 17.7 ft Offset Fly |      |      | 43.3 ft Offset Fly |      |     | 17.7 ft Offset Fly |      |      | 43.3 ft Offset Fly |      |     |     | Radius (ft) |
|   | 0°                 | 20°  | 40°  | 0°                 | 20°  | 40°  | 0°                 | 20°  | 40° | 0°                 | 20°  | 40°  | 0°                 | 20°  | 40° |     |             |
| 10  | 72.8               |      |      |                    |      |      |                    |      |     |                    |      |      |                    |      |     | 10  |             |
| 12  | 68.7               | 51.4 |      |                    |      |      |                    |      |     |                    |      |      |                    |      |     | 12  |             |
| 14  | 65.7               | 49.3 |      |                    |      |      |                    |      |     |                    |      |      |                    |      |     | 14  |             |
| 16  | 63.0               | 47.9 | 40.3 |                    |      |      |                    |      |     |                    |      |      |                    |      |     | 16  |             |
| 18  | 60.0               | 46.4 | 39.8 |                    |      |      |                    |      |     |                    |      |      |                    |      |     | 18  |             |
| 20  | 57.0               | 45.0 | 39.4 |                    |      |      |                    |      |     |                    |      |      |                    |      |     | 20  |             |
| 25  | 51.8               | 42.6 | 38.2 |                    |      |      |                    |      |     |                    |      |      |                    |      |     | 25  |             |
| 30  | 47.3               | 40.6 | 37.2 |                    |      |      |                    |      |     |                    |      |      |                    |      |     | 30  |             |
| 35  | 43.9               | 38.9 | 37.0 | 23.0               |      |      |                    |      |     |                    |      |      |                    |      |     | 35  |             |
| 40  | 41.2               | 37.8 | 37.0 | 21.9               | 20.2 |      | 16.5               |      |     | 20.4               |      |      | 13.9               |      |     | 40  |             |
| 45  | 39.0               | 37.2 |      | 20.9               | 19.3 |      | 16.5               |      |     | 19.4               | 18.0 |      | 13.9               |      |     | 45  |             |
| 50  | 37.6               |      |      | 19.9               | 18.5 | 17.5 | 16.0               |      |     | 18.5               | 17.3 | 16.4 | 13.9               |      |     | 50  |             |
| 55  |                    |      |      | 19.1               | 17.7 | 16.9 | 15.3               | 12.2 |     | 17.7               | 16.6 | 15.8 | 13.9               |      |     | 55  |             |
| 60  |                    |      |      | 18.4               | 17.1 | 16.4 | 14.7               | 11.8 |     | 17.1               | 16.0 | 15.3 | 13.8               | 11.7 |     | 60  |             |
| 65  |                    |      |      | 17.5               | 16.6 | 15.9 | 14.2               | 11.5 |     | 16.4               | 15.5 | 14.8 | 13.3               | 11.5 |     | 65  |             |
| 70  |                    |      |      | 16.8               | 16.1 | 15.4 | 13.7               | 11.3 | 9.6 | 15.7               | 15.0 | 14.3 | 12.8               | 11.2 | 9.6 | 70  |             |
| 75  |                    |      |      | 16.3               | 15.6 | 14.9 | 13.2               | 11.1 | 9.4 | 15.1               | 14.5 | 13.9 | 12.4               | 10.9 | 9.4 | 75  |             |
| 80  |                    |      |      | 15.5               | 15.1 | 14.5 | 12.7               | 10.8 | 9.3 | 14.6               | 14.0 | 13.6 | 12.0               | 10.7 | 9.2 | 80  |             |
| 85  |                    |      |      | 14.0               | 14.6 | 14.1 | 12.4               | 10.6 | 9.3 | 13.9               | 13.5 | 13.2 | 11.5               | 10.4 | 9.0 | 85  |             |
| 90  |                    |      |      | 12.2               | 12.8 | 13.2 | 11.9               | 10.4 | 9.1 | 12.2               | 12.5 | 12.9 | 11.1               | 10.0 | 9.0 | 90  |             |
| 95  |                    |      |      | 10.4               | 11.1 | 11.6 | 11.2               | 10.2 | 8.9 | 10.4               | 11.1 | 11.6 | 10.7               | 9.7  | 8.9 | 95  |             |
| 100   |                    |      |      | 8.8                | 9.4  | 9.9  | 10.2               | 9.9  | 8.8 | 8.8                | 9.4  | 9.9  | 10.0               | 9.4  | 8.8 | 100 |             |
| 110   |                    |      |      | 6.1                | 6.9  | 7.3  | 7.5                | 9.0  | 8.6 | 6.1                | 6.9  | 7.3  | 7.5                | 8.8  | 8.4 | 110 |             |
| 120   |                    |      |      | 4.0                | 4.7  | 5.0  | 5.4                | 6.7  | 7.8 | 4.0                | 4.7  | 5.0  | 5.2                | 6.7  | 7.6 | 120 |             |
| 130   |                    |      |      |                    | 2.9  | 3.1  | 3.6                | 4.8  | 5.6 |                    | 2.9  | 3.1  | 3.5                | 4.8  | 5.5 | 130 |             |
| 140   |                    |      |      |                    |      |      |                    | 3.3  | 3.8 |                    |      |      |                    | 3.2  | 3.8 | 140 |             |

This information is not for crane operation. Operator must refer to the in-cab information for crane operation. Rated lifting capacities shown on fully extended outriggers do not exceed 85% of the tipping loads.

**Link-Belt Construction Equipment Company** Lexington, Kentucky [www.linkbelt.com](http://www.linkbelt.com)

®Link-Belt is a registered trademark. Copyright 2006. We are constantly improving our products and therefore reserve the right to change designs and specifications.